

**RANGE
GUIDE**

Affordable Quality Joinery Components – Wardrobe



Version 2.0 - May 2024

Powered by



Amorini



FEATURES AND SPECIFICATIONS

The Amorini Wardrobe Storage is a modular system allowing you to custom design your wardrobe space, adaptable to your needs and storage requirements.

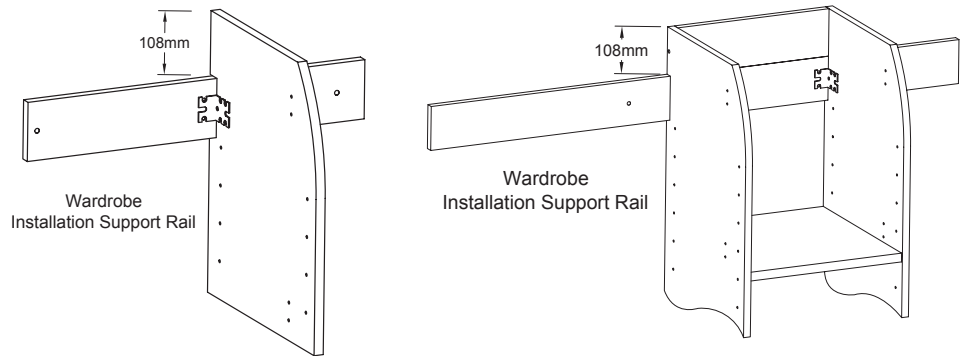
Make the most of your living.

The system is designed to be suspended on a wall rail pre-fixed to the wall, so accommodates top storage as well as floor storage on suspended units.

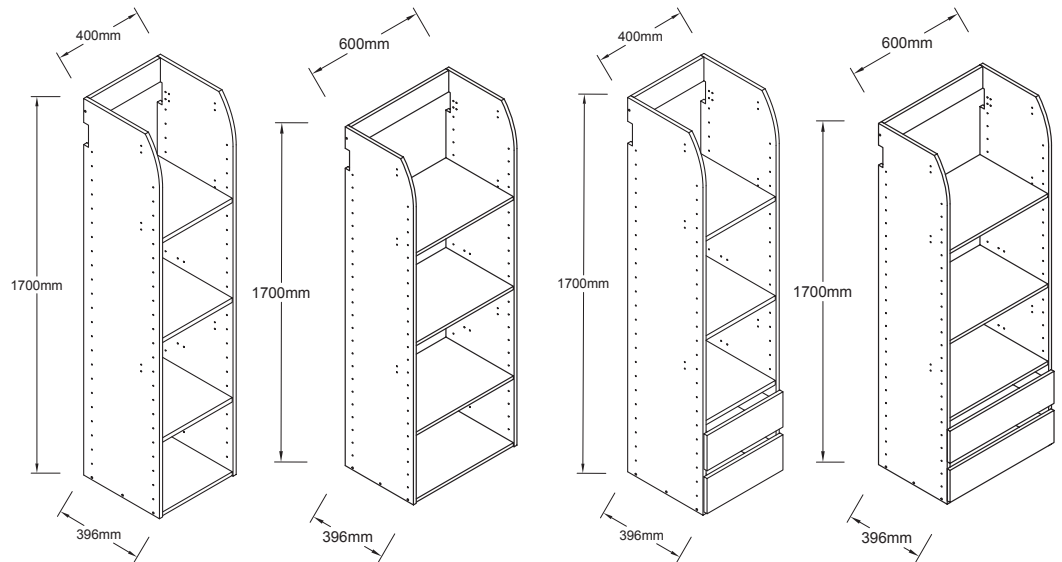
- 16mm Melamine Faced Board
- Pre-drilled Easy Assembly
- Fully Adjustable Shelves
- Soft-close pre-assembled drawers
- High Bond adhesives on all edgings
- Industry Standard Warranty
- 5 working days ex-works
- Order Online 24/7

DESIGN YOUR STORAGE WITH OUR VERSATILE WARDROBE RANGE!

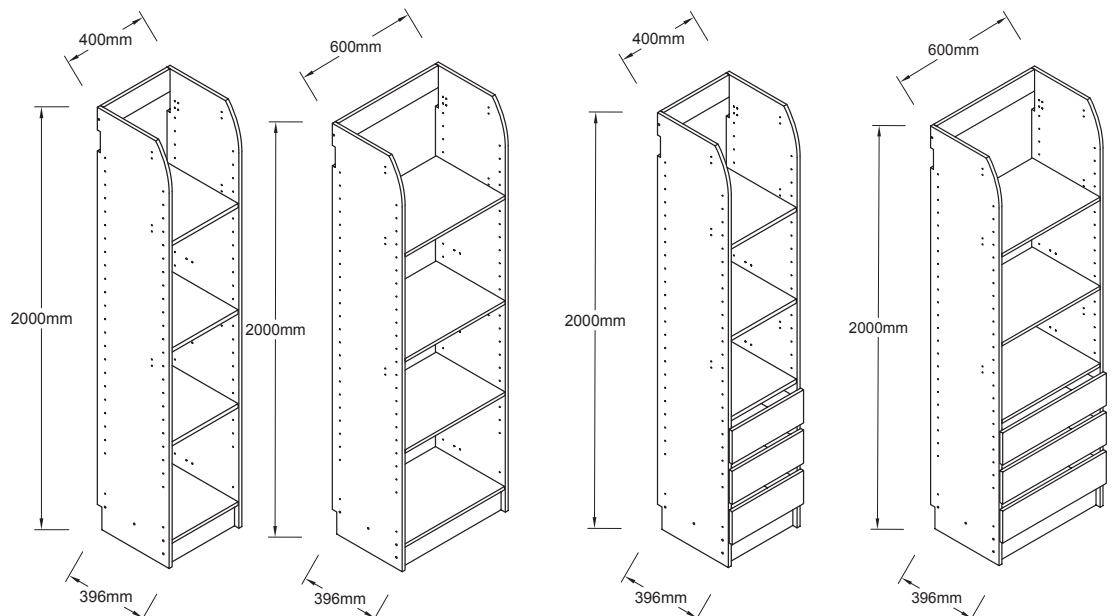
INSTALLATION SUPPORT RAIL



TALL TOWER UNIT

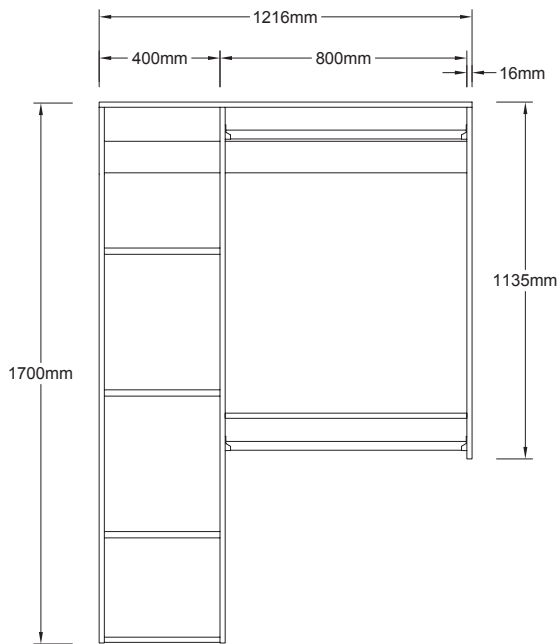


FLOOR TOWER UNIT

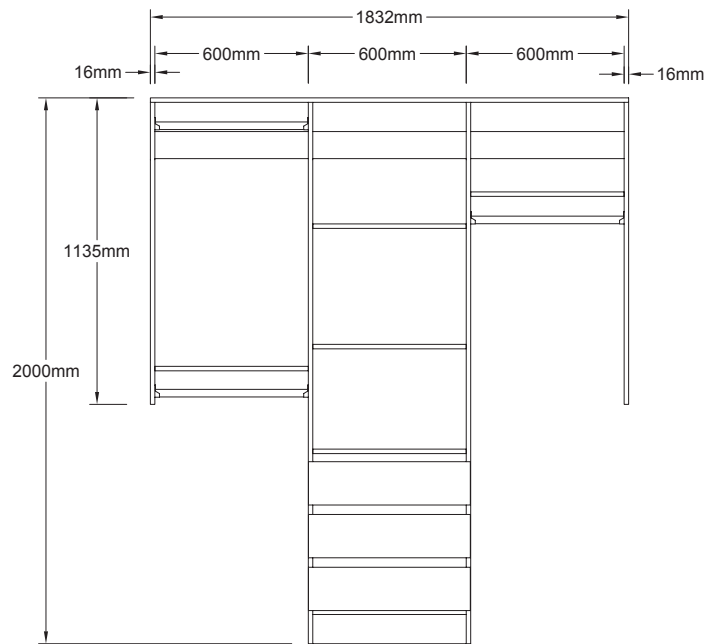


MODULAR WARDROBE

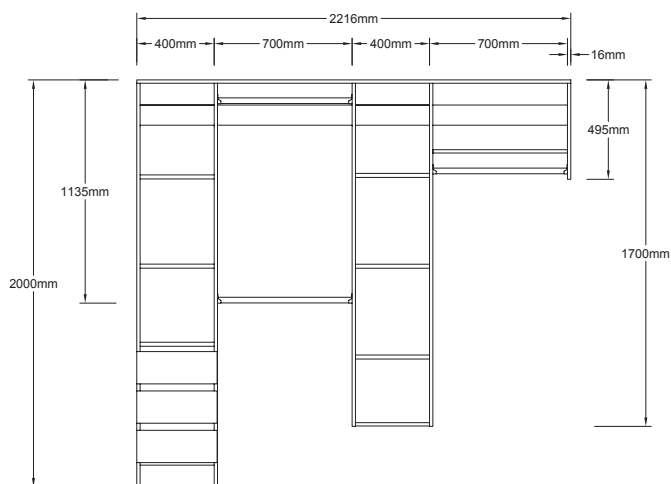
COMBO SAMPLE EXAMPLES



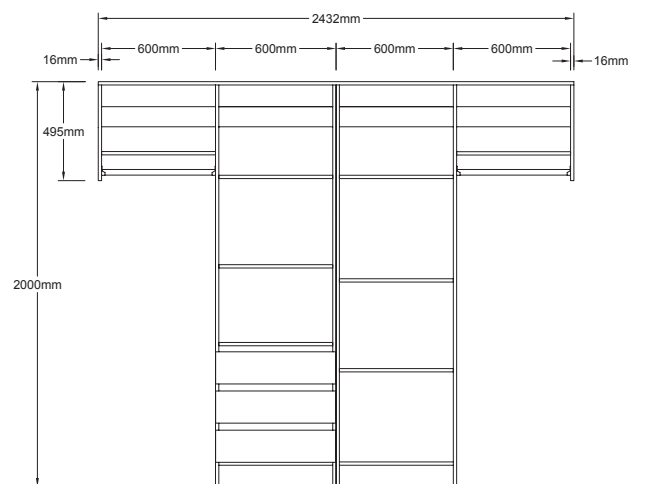
1216 MODULAR WARDROBE
COMBINATION



1832 MODULAR WARDROBE
COMBINATION



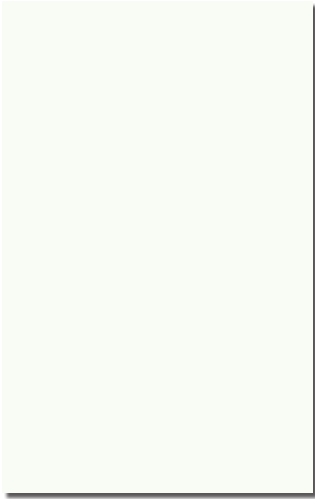
2216 MODULAR WARDROBE
COMBINATION



2432 MODULAR WARDROBE
COMBINATION

DÉCOR RANGE

Choose from our stock particle board melamine faced décor options or combine with your own. Décors are available with a 5 working day despatch.



White
Semi Gloss



Light Oak
Woodgrain
Available from mid July

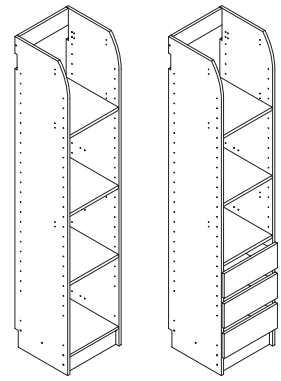


Grey Oak
Woodgrain
Available from mid July



FLOOR TOWER

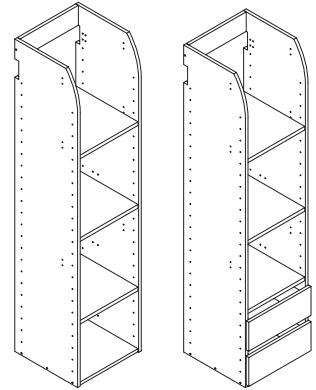
The floor tower comes with three adjustable shelves and a fixed bottom shelf. The floor tower can have fitted to it up to six drawers. All towers units can also have Cloth Hanging Rails fitted at any one of the three pre-drilled locations.



CODE	DESCRIPTION	DIMENSION
Shelves Unit		
W1-TW-400-FLOOR-3SHF	Wardrobe Tower 400 Floor 3 Shelves	400W x 396D x 2000H
W1-TW-600-FLOOR-3SHF	Wardrobe Tower 600 Floor 3 Shelves	600W x 396D x 2000H
Drawer Unit		
W1-TW-400-FLOOR-3DRW	Wardrobe Tower 400 Floor 3 Drawers	400W x 396D x 2000H
W1-TW-600-FLOOR-3DRW	Wardrobe Tower 600 Floor 3 Drawers	600W x 396D x 2000H

TALL TOWER

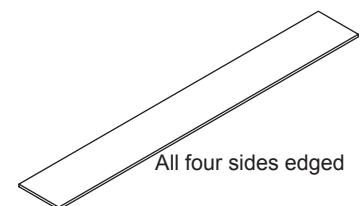
The tall tower comes with three adjustable shelves and a fixed bottom shelf. The tall tower can have fitted to it up to five drawers. All towers units can also have Cloth Hanging Rails fitted at any one of the three pre-drilled locations. They are suspended off the floor. Leaving your floor spaces clean.



CODE	DESCRIPTION	DIMENSION
Shelves Unit		
W1-TW-400-TALL-3SHF	Wardrobe Tower 400 Tall 3 Shelves	400W x 396D x 1700H
W1-TW-600-TALL-3SHF	Wardrobe Tower 600 Tall 3 Shelves	600W x 396D x 1700H
Drawer Unit		
W1-TW-400-TALL-2DRW	Wardrobe Tower 400 Tall 2 Drawers	400W x 396D x 1700H
W1-TW-600-TALL-2DRW	Wardrobe Tower 600 Tall 2 Drawers	600W x 396D x 1700H

TOP SHELF

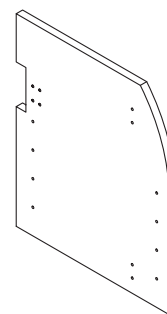
The top shelf is designed to fit across the top of your units giving a continuous shelf for upper storage.



CODE	DESCRIPTION	DIMENSION
Top Shelf		
W1-DP-2400-TOP-SHELF	WARDROBE TOP SHELF	2400L x 330D

HANGING END-PANEL

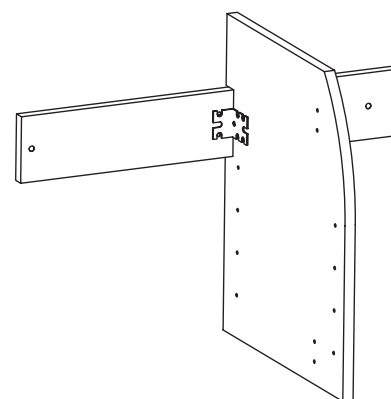
Medium & Short Hanging End-Panel are pre-drilled to take floating shelves and clothes hanging rails at the two upper designated positions, pending your design.



CODE	DESCRIPTION	DIMENSION
Short End-Panel		
W1-DP-SHORT-ENDPANEL	WARDROBE SHORT END PANEL	476L x 396D
Medium End-Panel		
W1-DP-MEDIUM-ENDPANEL	WARDROBE MEDIUM END PANEL	1116L x 396D

INSTALLATION SUPPORT RAIL

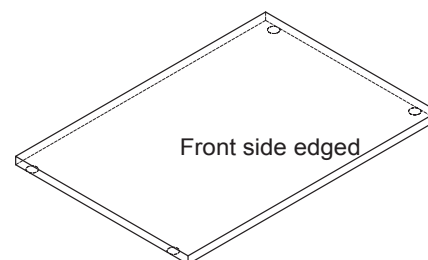
The Installation Support Rail is designed to be glued and screw fixed into your wall giving a true and level height on which to suspend your storage system, aiding in making installation easy.



CODE	DESCRIPTION	DIMENSION
Installation Support Rail		
W1-DP-2400-INSTALLATION-RAIL	WARDROBE 2400 x 98 INSTALLATION SUPPORT RAIL	2400L x 98D

TOWER SHELF

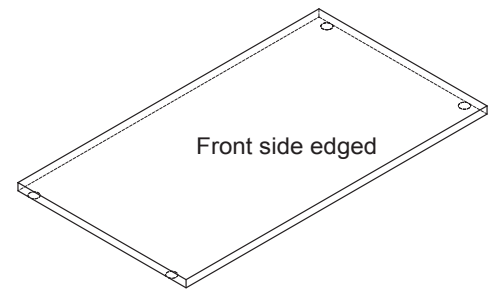
Adjustable Tower Shelves are fixed in location using a Cam Lock. Multiple Through Hole Drilling in end panels gives you flexibility and continuous storage design.



CODE	DESCRIPTION	DIMENSION
Tower Shelf		
W1-DP-400-TOWER-SHELF	WARDROBE 400 TOWER SHELF	367L x 391D
W1-DP-600-TOWER-SHELF	WARDROBE 600 TOWER SHELF	567L x 391D

FLOATING SHELF

Adjustable Floating Shelves are fixed in location using a Cam Lock and are typically fitted above a hanging rail. Multiple Through Hole Drilling in end panels gives you flexibility and continuous storage design.

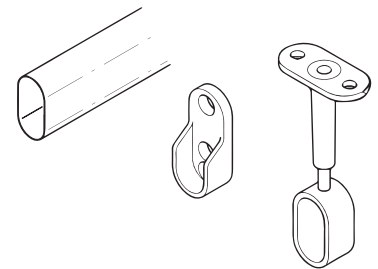


* Floating shelves are supplied with a hardware fitting that allows to be cut the shelf length to any size.

CODE	DESCRIPTION	DIMENSION
700 Length		
W1-DP-700-FLOATING	Wardrobe 700 x 391 Floating Shelf	700L x 391D
900 Length		
W1-DP-900-FLOATING	Wardrobe 900 x 391 Floating Shelf	900L x 391D
1200 Length		
W1-DP-1200-FLOATING	Wardrobe 1200 x 391 Floating Shelf	1200L x 391D

ACCESSORIES

Accessories is used to provide extra support to your clothe hanging rails.



CODE	DESCRIPTION	DIMENSION
Accessories		
W1-HANGING-RAIL-TUBE-N-END	Clothes Hanging Rail Oval Tube & End Bracket	-
W1-HANGING-RAIL-CENTRE-SUPPORT	Clothes Hanging Rail Centre Support	-



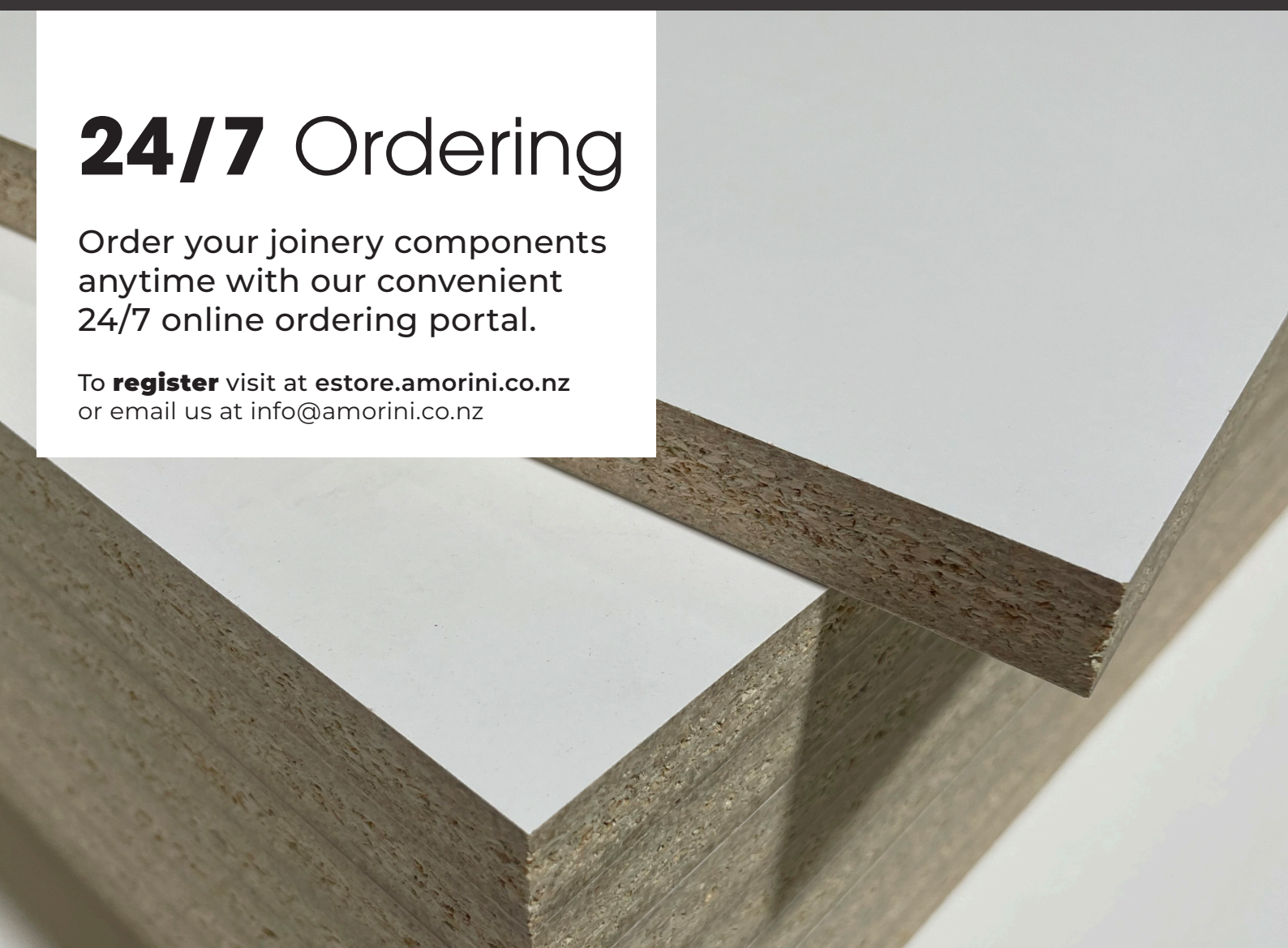
Central New Zealand Distribution Center

Our centrally located DC center in Palmerston North means we can dispatch cabinetry & stocked décor orders in only 5 days and ship New Zealand wide.

24/7 Ordering

Order your joinery components anytime with our convenient 24/7 online ordering portal.

To **register** visit at estore.amorini.co.nz or email us at info@amorini.co.nz



READY WITH YOUR DESIGN?

ORDER NOW!



PO BOX 5390,
Palmerston North, New Zealand.
(06) 358 2759 | info@amorini.co.nz



Scan here or visit



amorini.co.nz

Copyright © 2022 Amorini - Version 2.0 - May 2024

Follow us:



@AmoriniNZ



@Amorini_nz



@AmoriniNZLtd



@Amorini NZ