

**CABINETS  
BROCHURE**

# **Affordable Quality Joinery Components – Kitchen**



Powered by



**Amorini**



# New Zealand's **Best** Kept Trade Secret!

Amorini's quality joinery components are the easy choice for your kitchens.

For over 40 years we've been manufacturing the highest quality cabinet componentry right here in New Zealand.

Our new trade range is extensive and comes with numerous décor options, all delivered in superfast lead times that will delight you and your customers.



Arctic Ice  
Gloss Plus

# Affordable Quality Melamine Faced MDF Cabinetry Solutions



Melamine Faced MDF  
E0 Carcass



Pre-Drilled – Easy Assembly



18mm MDF Fronts



Extensive Range & Combinations



Solid Back Construction



Variable Cabinets For  
Customised Design



European Hardware  
– Lifetime Warranty



Order Online 24/7



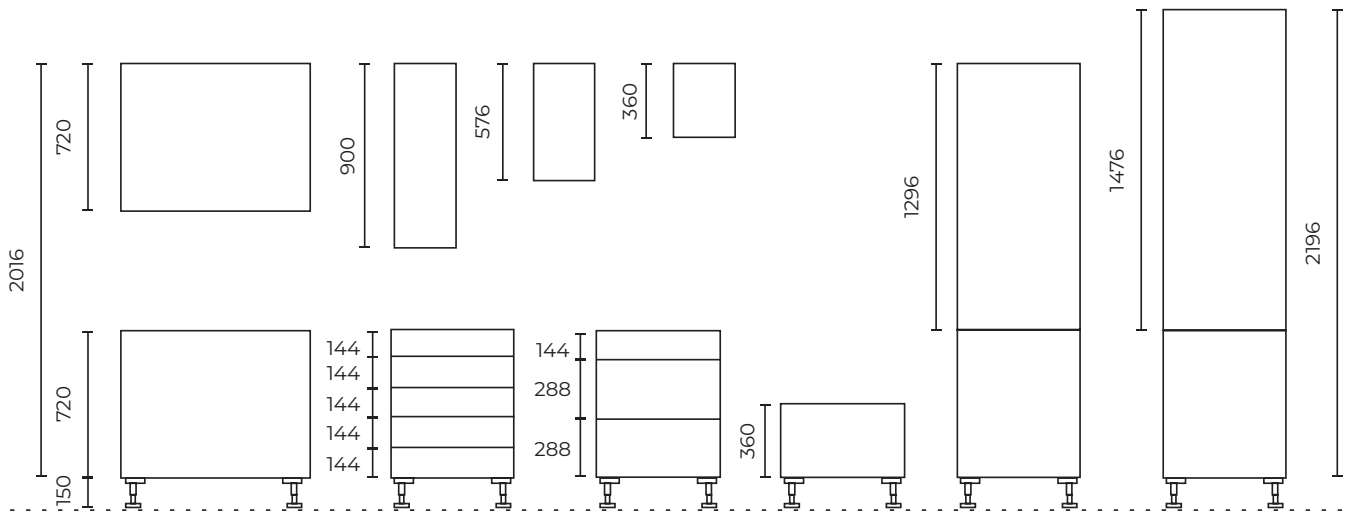
Quick Ship – Ex Stock



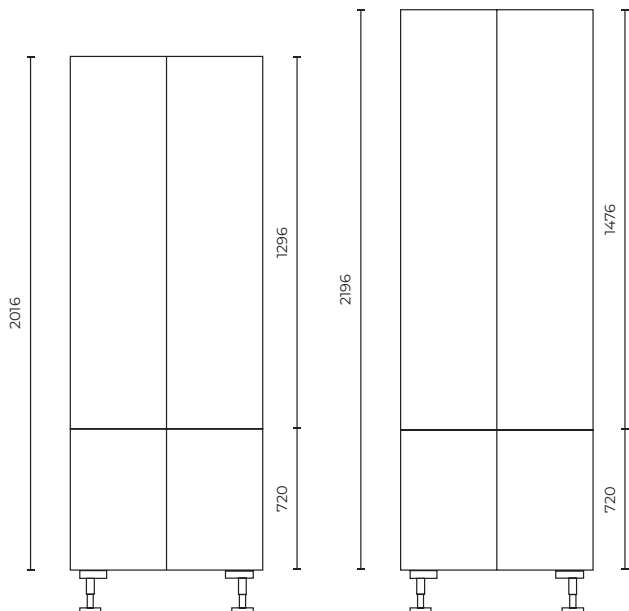
10 Year Ltd Warranty – Cabinets

# DESIGN YOUR **KITCHEN** WITH OUR VERSATILE CABINET RANGE!

## BASE AND WALL CABINET SAMPLE SIZES

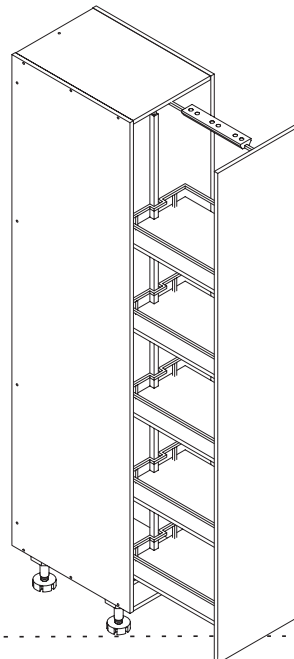


## PANTRY COMBO UNIT EXAMPLE

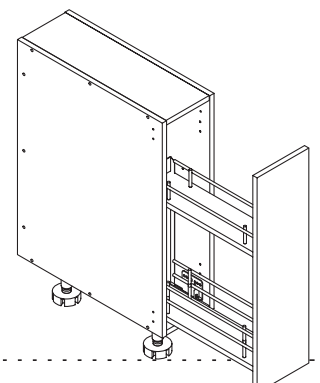


## PULL OUT UNIT EXAMPLE

Pantry Pull Out



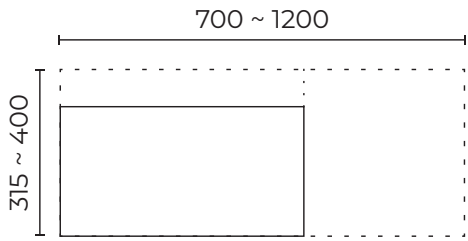
Bottle Rack Pull Out



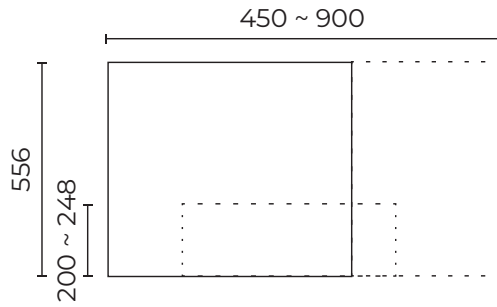


# VARIABLE CABINETS

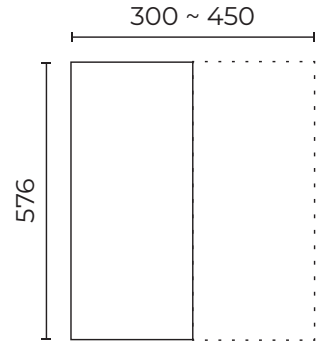
TO CUSTOMISE YOUR DESIGN



OverFridge 700~1200  
Flap Door Variable Unit  
K1-WA-1200-OFRIDGE-FD-V



Wall 576 Series - PowerPack  
Flap Door Variable Unit  
K1-WA-576S-PPACK-FD-V

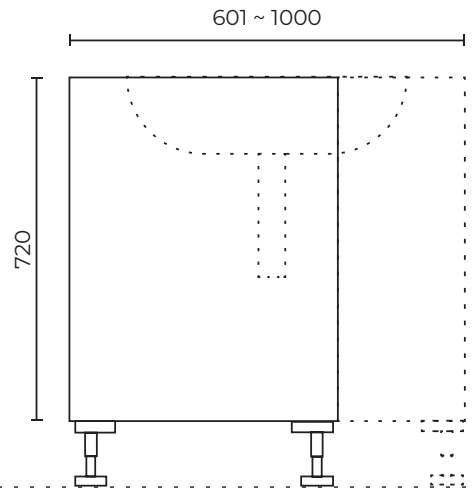
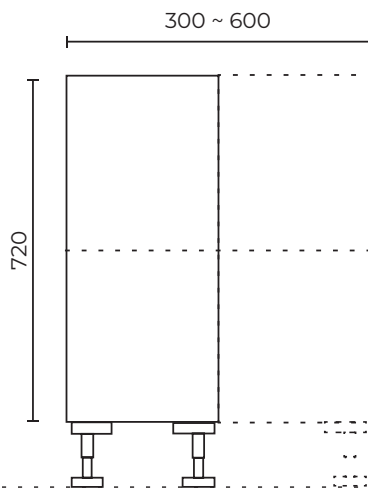
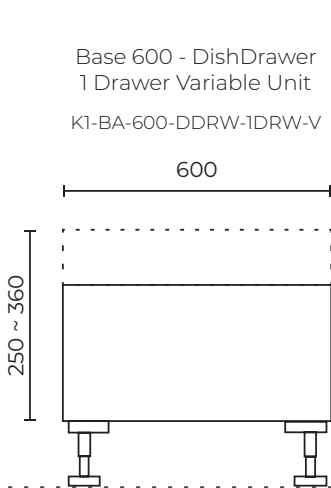


Wall 576 Series - Open Shelf  
Variable Unit  
K1-WA-576S-OPENSHELF-V

Base 600  
Open Shelf Unit  
K1-BA-600-OPENSHELF-V

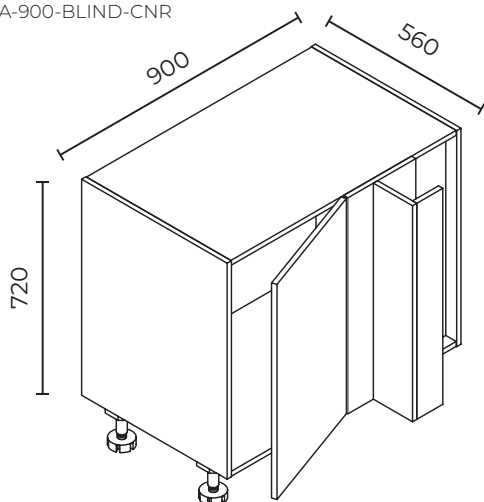
Base 601~1000 - 2-Door Sink  
Variable Unit  
K1-BA-1000-SINK-2D-V

Base 600 - DishDrawer  
1 Drawer Variable Unit  
K1-BA-600-DDRW-1DRW-V

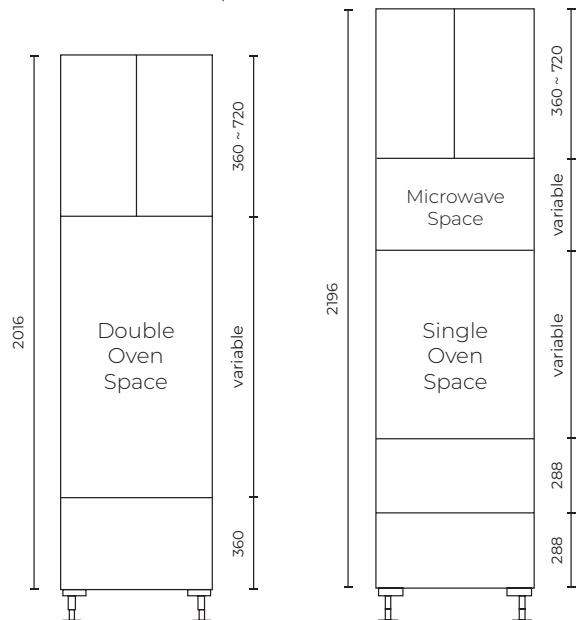


Blind Corner Unit (Reversible)  
Corner return design flexibility  
from 50 -150mm each-way

K1-BA-900-BLIND-CNR

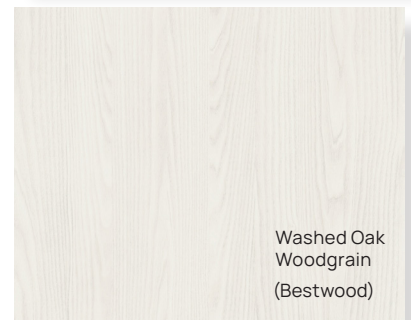
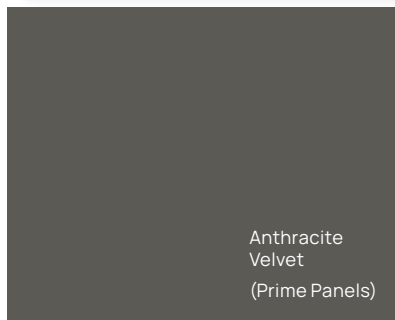


Tower Oven Unit Example  
with variable oven space

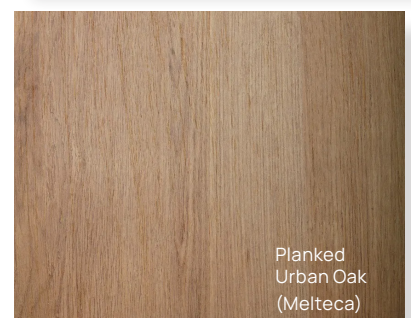
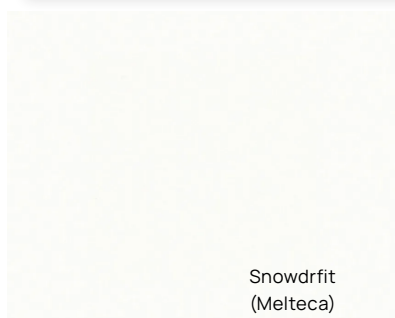
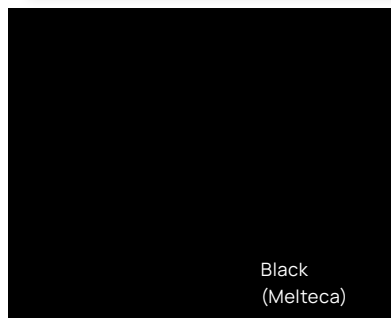
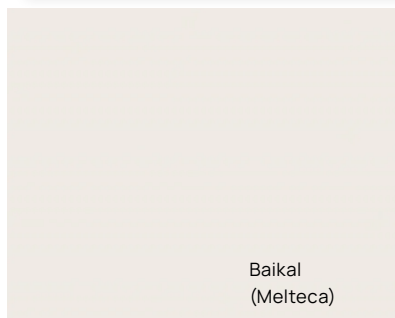
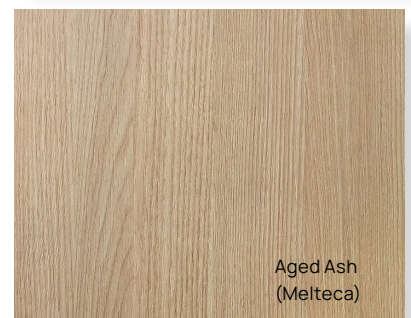
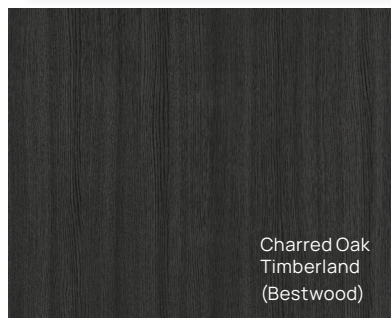
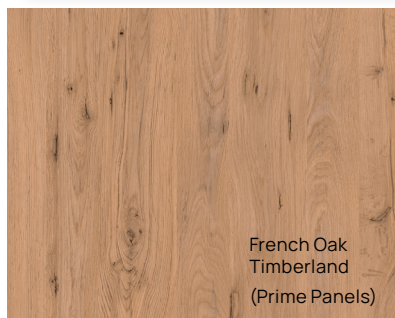


# Melamine Décor Options

Choose from our stock melamine décor options or combine with your own. Designer décors are available with a 5 working day despatch. Designer Plus décors incur additional lead time.



DESIGNER

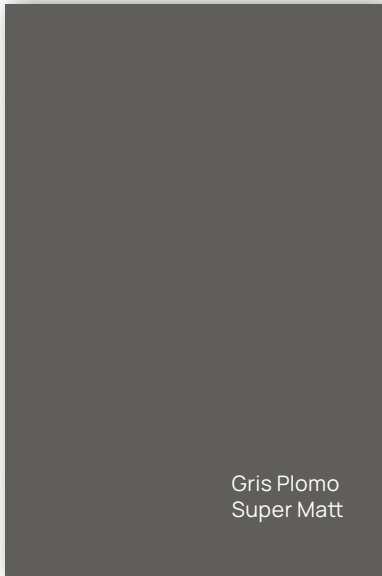


Additional range of Designer Plus Melamine Décor also available. Visit [amorini.co.nz](http://amorini.co.nz)

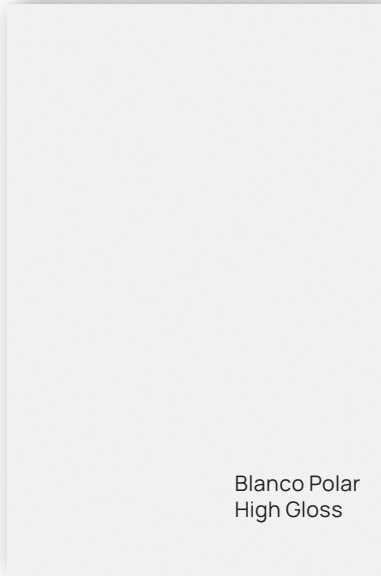
# Polyform Décor Options

Our Platinum décor range incorporates exclusive, European luxury, High Gloss & Super Matt finishes available with a 5 working day dispatch.

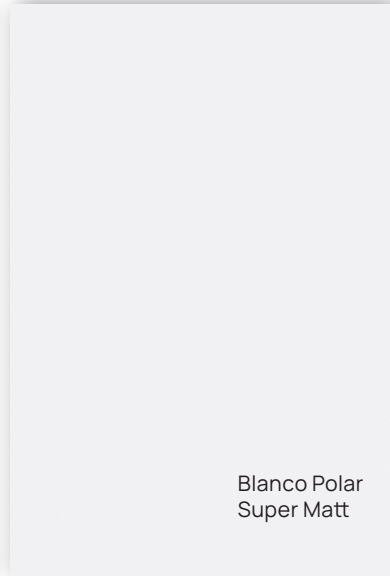
PLATINUM



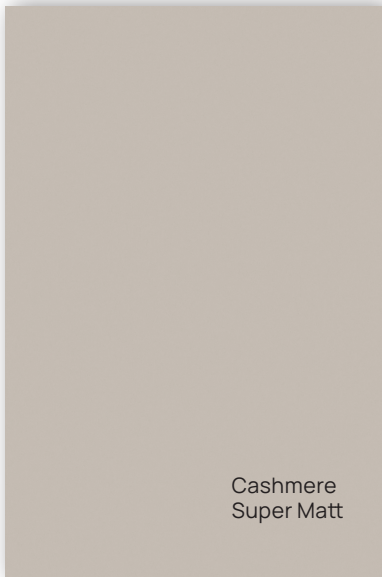
Gris Plomo  
Super Matt



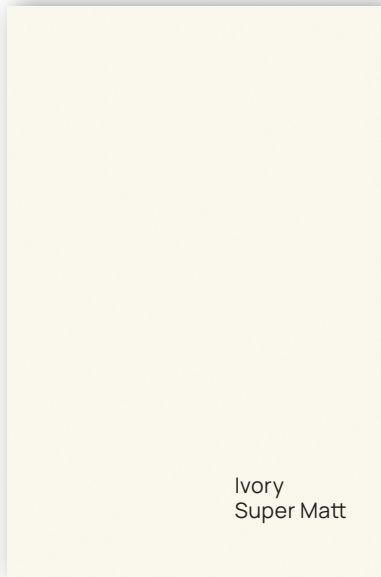
Blanco Polar  
High Gloss



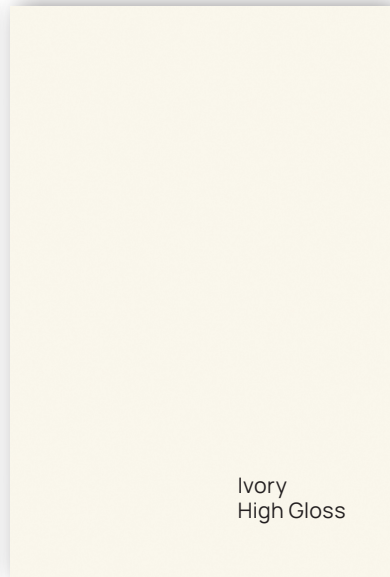
Blanco Polar  
Super Matt



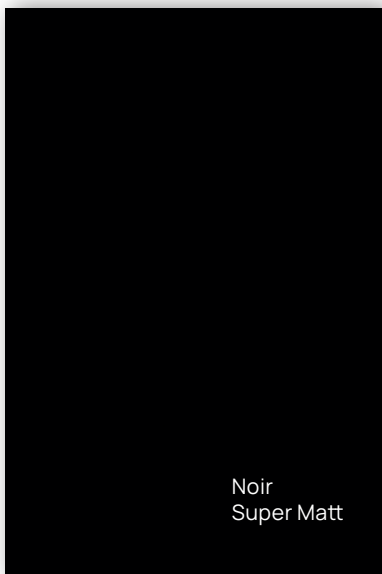
Cashmere  
Super Matt



Ivory  
Super Matt



Ivory  
High Gloss



Noir  
Super Matt



Maple  
Rustik

**We offer a wide variety of sizes and options that allow the creation of any project.**

**Visit [amorini.co.nz](http://amorini.co.nz)**



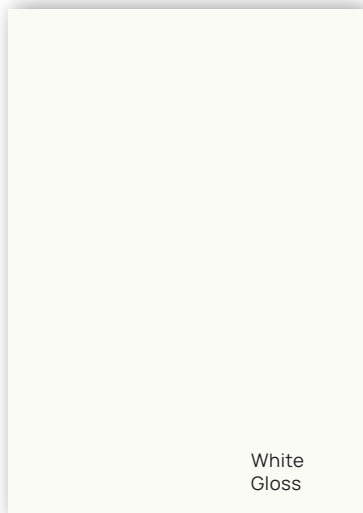
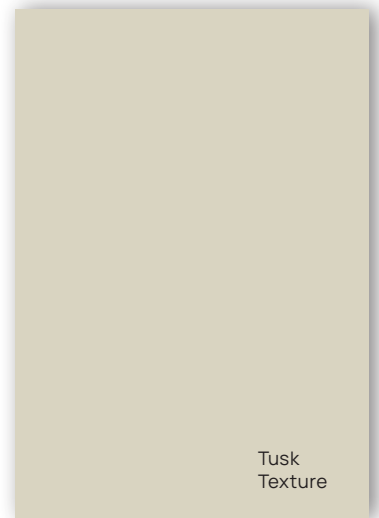
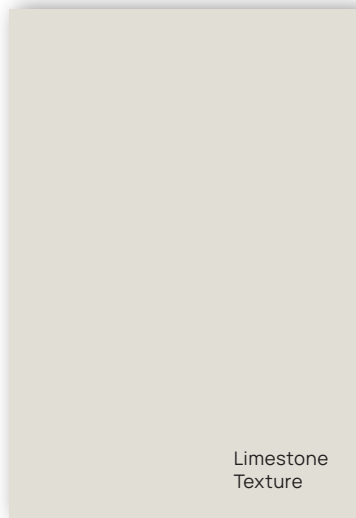
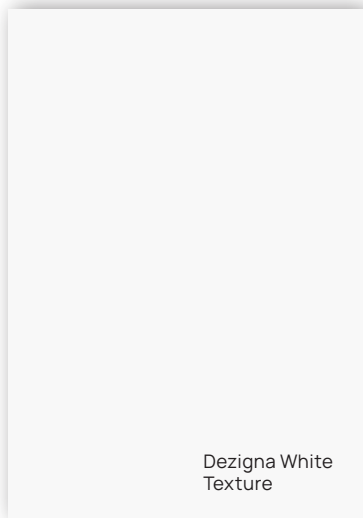
# Thermoform Décor Options

Thermoform doors and drawers from Dezignatek deliver a high quality, seamless edge, and a surface finish that won't chip or scratch like lacquer can. Choose from the most popular profiles and décors to complete design. Available with matching melamine décors.

PROFILE



DÉCOR



DEZIGNATEK

Our New Zealand Panels Group Melamine faced MDF MR/EO cabinetry board is made right here in New Zealand and carries – Environmental Choice NZ accreditation.

PrimePanels<sup>NZ</sup>  BESTWOOD<sup>®</sup>

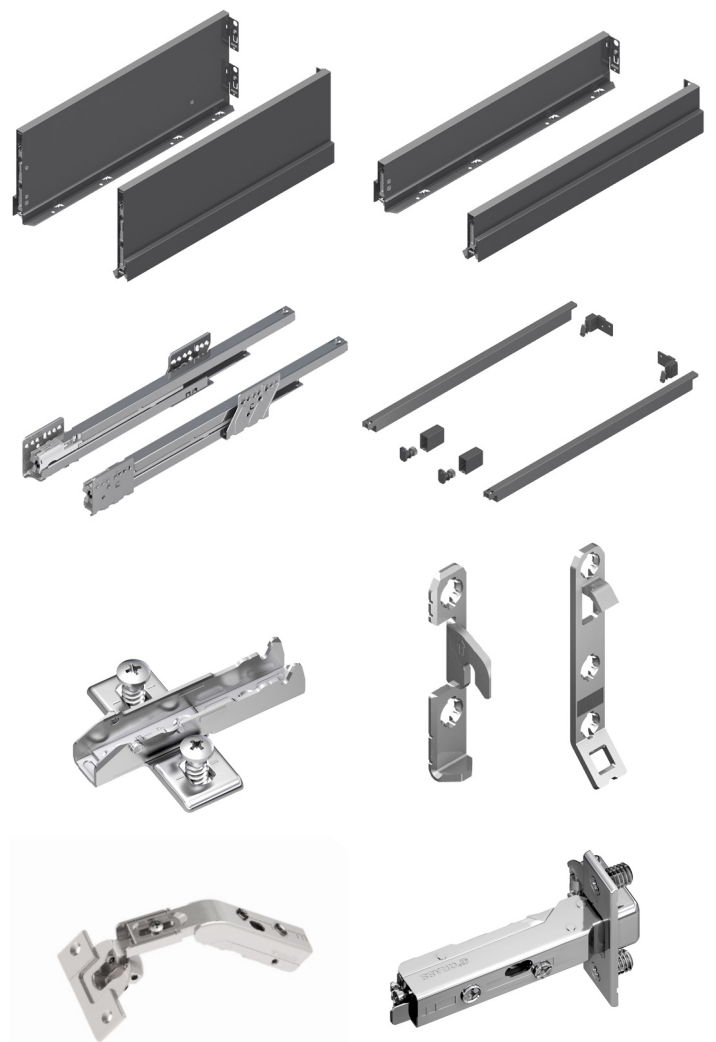
## Grass Movement

**Nova Pro / Scala drawers** feature a luxury, smooth-running opening and closing action with the latest in soft closing technology.

**Tiemos Hinge system** - One of the outstanding characteristics of the hinge system is the Soft-close damper, which features stepwise adjustment and is fully concealed within the hinge arm.

The complex inner workings of this high-tech hinge are hidden from view, much like a Swiss clock movement, and are sure to impress with their unique damping characteristics.

Grass hardware comes with 25 years of warranty.



 G\*GRASS<sup>®</sup>







# Central New Zealand Distribution Center

Our centrally located DC center in Palmerston North means we can dispatch cabinetry & stocked décor orders in only 5 days and ship New Zealand wide.



## 24/7 Ordering

Order your joinery components anytime with our convenient 24/7 online ordering portal.

To **register** visit [estore.amorini.co.nz](https://estore.amorini.co.nz) or email us at [info@amorini.co.nz](mailto:info@amorini.co.nz)



Talk to Amorini now,  
for affordable, quality,  
**MDF kitchen cabinetry solutions** to support  
your business.

With an extensive range  
of cabinetry components,  
incorporating European  
hardware, 24/7 ordering  
capability, available  
**New Zealand wide with  
a 5-day dispatch time!**

**New Zealand  
Panels** GROUP

**NKBA**  
National Kitchen & Bathroom Association - NZ

**G\*GRASS**

**10**  
YEAR  
WARRANTY

 **MADE IN  
NEW ZEALAND**



# WHAT ARE YOU WAITING FOR?

**REGISTER NOW!**



PO BOX 5390,  
Palmerston North, New Zealand.  
(06) 358 2759 | [info@amorini.co.nz](mailto:info@amorini.co.nz)



Scan here or visit



[amorini.co.nz](http://amorini.co.nz)

Copyright © 2022 Amorini - Version 3.0 - April 2024

## Follow us:



@AmoriniNZ



@Amorini\_nz



@AmoriniNZLtd



@Amorini NZ