

**RANGE  
GUIDE**

# **Affordable Quality Joinery Components – Wardrobe**



Version 1.0 - May 2023

Powered by



**Amorini**



# FEATURES AND SPECIFICATIONS

The Amorini Wardrobe Storage is a modular system allowing you to custom design your wardrobe space, adaptable to your needs and storage requirements.

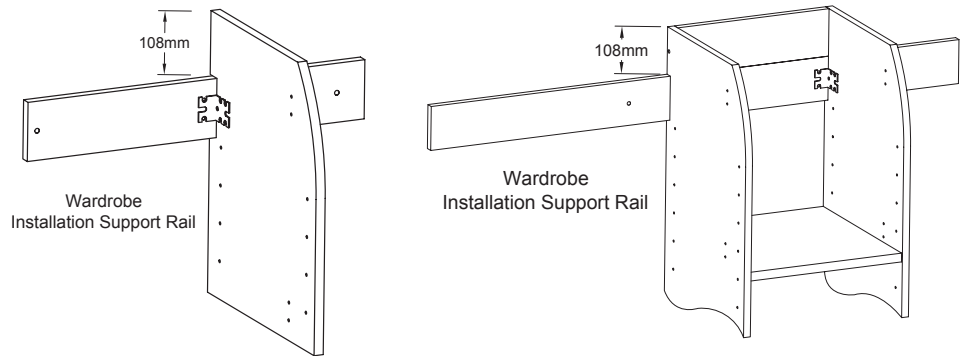
Make the most of your living.

The system is designed to be suspended on a wall rail pre-fixed to the wall, so accommodates top storage as well as floor storage on suspended units.

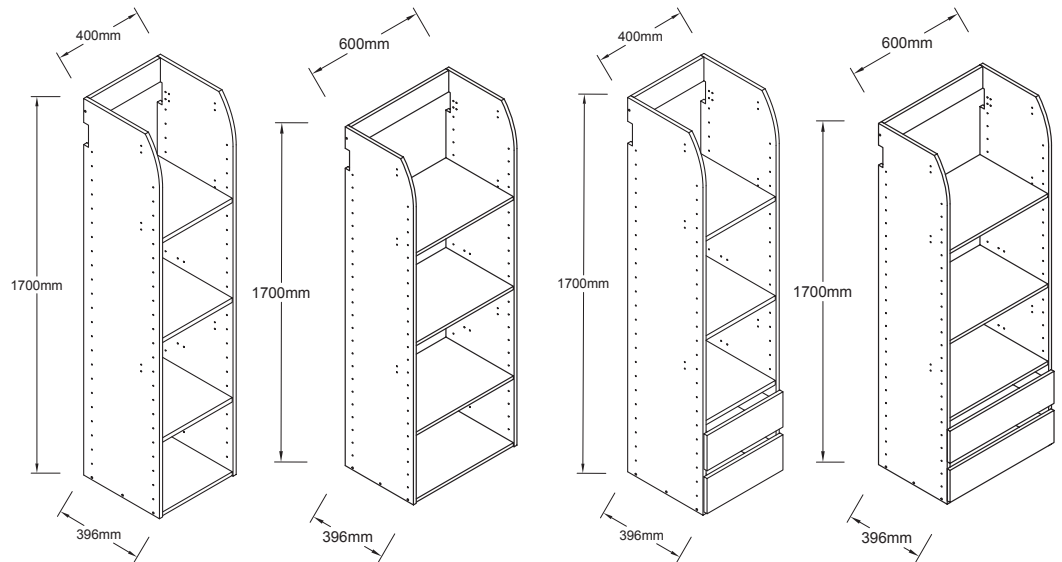
- 16mm Melamine Faced Board
- Pre-drilled Easy Assembly
- Fully Adjustable Shelves
- Soft-close pre-assembled drawers
- High Bond adhesives on all edgings
- Industry Standard Warranty
- 5 working days ex-works
- Order Online 24/7

# DESIGN YOUR STORAGE WITH OUR VERSATILE WARDROBE RANGE!

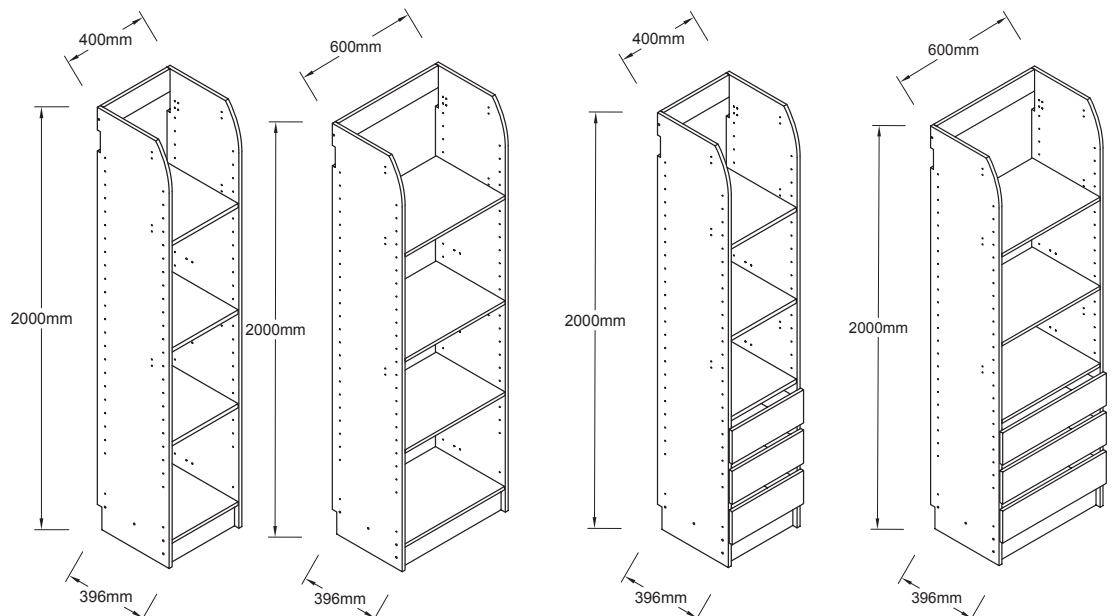
INSTALLATION  
SUPPORT RAIL



TALL  
TOWER UNIT

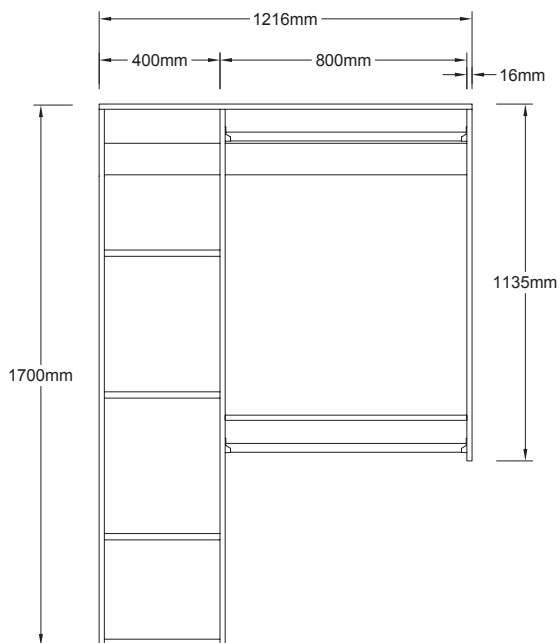


FLOOR  
TOWER UNIT

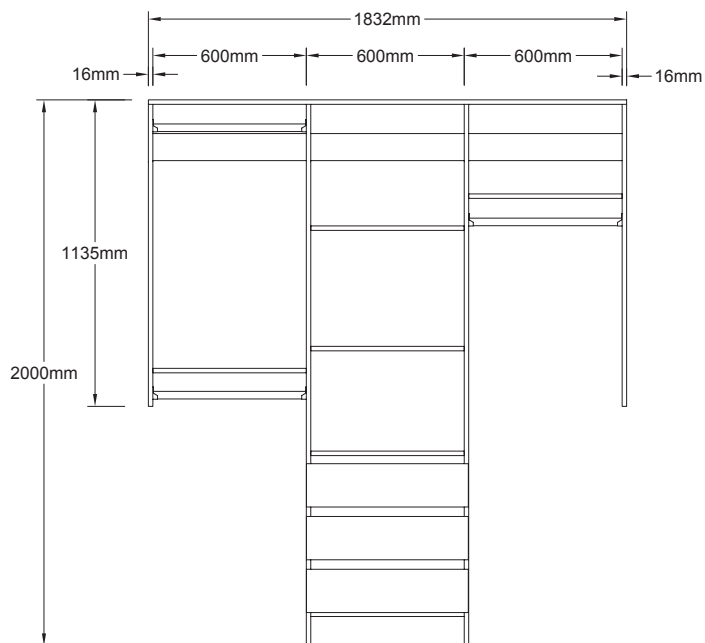


# MODULAR WARDROBE

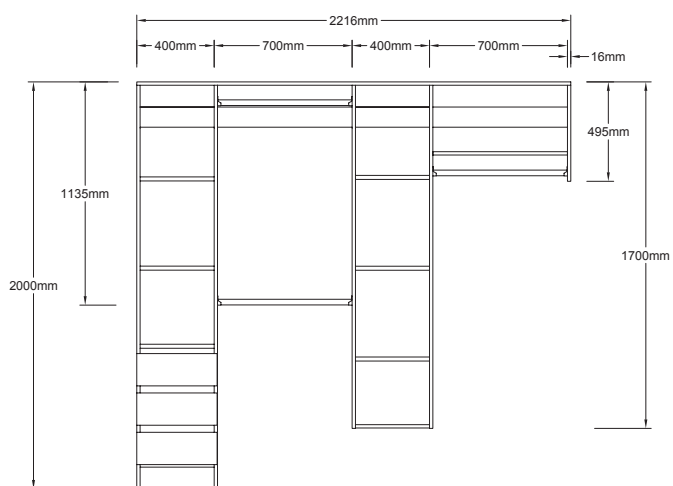
## COMBO SAMPLE EXAMPLES



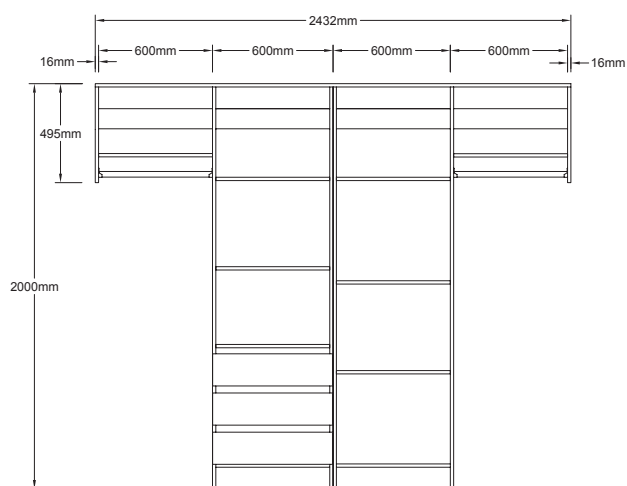
1216 MODULAR WARDROBE  
COMBINATION



1832 MODULAR WARDROBE  
COMBINATION



2216 MODULAR WARDROBE  
COMBINATION

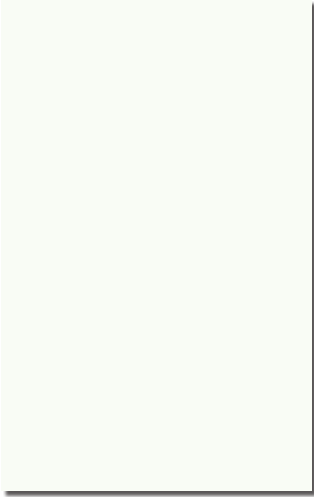


2432 MODULAR WARDROBE  
COMBINATION

# DÉCOR RANGE

---

Choose from our stock particle board melamine faced décor options or combine with your own. Décors are available with a 5 working day despatch.



**White**

Semi Gloss



**Light Oak**

Woodgrain

Available from mid July



**Grey Oak**

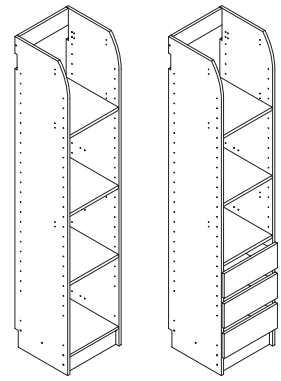
Woodgrain

Available from mid July



# FLOOR TOWER

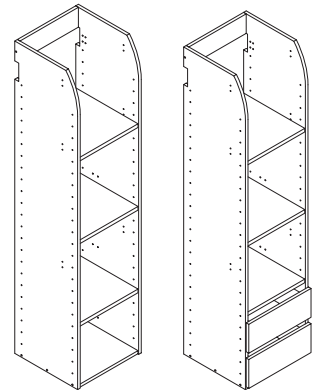
The floor tower comes with three adjustable shelves and a fixed bottom shelf. The floor tower can have fitted to it up to six drawers. All towers units can also have Cloth Hanging Rails fitted at any one of the three pre-drilled locations.



| CODE                 | DESCRIPTION                        | DIMENSION           |
|----------------------|------------------------------------|---------------------|
| <b>Shelves Unit</b>  |                                    |                     |
| W1-TW-400-FLOOR-3SHF | Wardrobe Tower 400 Floor 3 Shelves | 400W x 396D x 2000H |
| W1-TW-600-FLOOR-3SHF | Wardrobe Tower 600 Floor 3 Shelves | 600W x 396D x 2000H |
| <b>Drawer Unit</b>   |                                    |                     |
| W1-TW-400-FLOOR-3DRW | Wardrobe Tower 400 Floor 3 Drawers | 400W x 396D x 2000H |
| W1-TW-600-FLOOR-3DRW | Wardrobe Tower 600 Floor 3 Drawers | 600W x 396D x 2000H |

# TALL TOWER

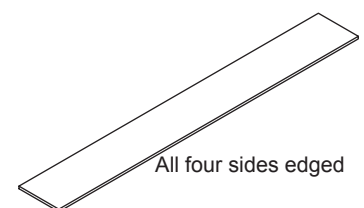
The tall tower comes with three adjustable shelves and a fixed bottom shelf. The tall tower can have fitted to it up to five drawers. All towers units can also have Cloth Hanging Rails fitted at any one of the three pre-drilled locations. They are suspended off the floor. Leaving your floor spaces clean.



| CODE                | DESCRIPTION                       | DIMENSION           |
|---------------------|-----------------------------------|---------------------|
| <b>Shelves Unit</b> |                                   |                     |
| W1-TW-400-TALL-3SHF | Wardrobe Tower 400 Tall 3 Shelves | 400W x 396D x 1700H |
| W1-TW-600-TALL-3SHF | Wardrobe Tower 600 Tall 3 Shelves | 600W x 396D x 1700H |
| <b>Drawer Unit</b>  |                                   |                     |
| W1-TW-400-TALL-2DRW | Wardrobe Tower 400 Tall 2 Drawers | 400W x 396D x 1700H |
| W1-TW-600-TALL-2DRW | Wardrobe Tower 600 Tall 2 Drawers | 600W x 396D x 1700H |

# TOP SHELF

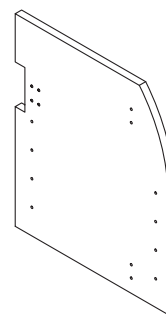
The top shelf is designed to fit across the top of your units giving a continuous shelf for upper storage.



| CODE                 | DESCRIPTION        | DIMENSION    |
|----------------------|--------------------|--------------|
| <b>Top Shelf</b>     |                    |              |
| W1-DP-2400-TOP-SHELF | WARDROBE TOP SHELF | 2400L x 330D |

# HANGING END-PANEL

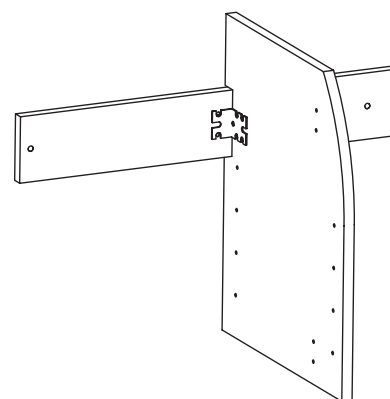
Medium & Short Hanging End-Panel are pre-drilled to take floating shelves and clothes hanging rails at the two upper designated positions, pending your design.



| CODE                    | DESCRIPTION               | DIMENSION    |
|-------------------------|---------------------------|--------------|
| <b>Short End-Panel</b>  |                           |              |
| W1-DP-SHORT-ENDPANEL    | WARDROBE SHORT END PANEL  | 476L x 396D  |
| <b>Medium End-Panel</b> |                           |              |
| W1-DP-MEDIUM-ENDPANEL   | WARDROBE MEDIUM END PANEL | 1116L x 396D |

# INSTALLATION SUPPORT RAIL

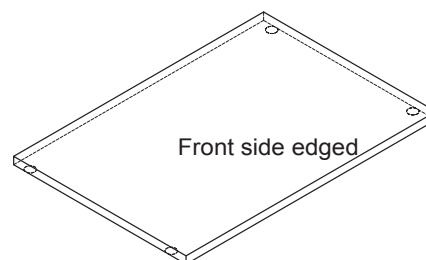
The Installation Support Rail is designed to be glued and screw fixed into your wall giving a true and level height on which to suspend your storage system, aiding in making installation easy.



| CODE                             | DESCRIPTION                                  | DIMENSION   |
|----------------------------------|--|-------------|
| <b>Installation Support Rail</b> |  |             |
| W1-DP-2400-INSTALLATION-RAIL     | WARDROBE 2400 x 98 INSTALLATION SUPPORT RAIL | 2400L x 98D |

# TOWER SHELF

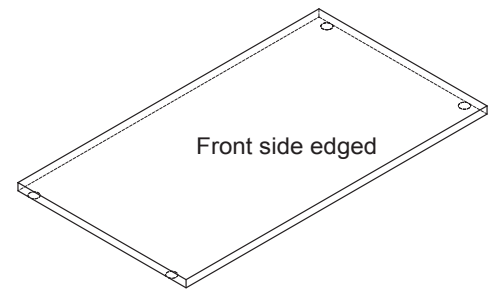
Adjustable Tower Shelves are fixed in location using a Cam Lock. Multiple Through Hole Drilling in end panels gives you flexibility and continuous storage design.



| CODE                  | DESCRIPTION              | DIMENSION   |
|-----------------------|--------------------------|-------------|
| <b>Tower Shelf</b>    |                          |             |
| W1-DP-400-TOWER-SHELF | WARDROBE 400 TOWER SHELF | 367L x 391D |
| W1-DP-600-TOWER-SHELF | WARDROBE 600 TOWER SHELF | 567L x 391D |

# FLOATING SHELF

Adjustable Floating Shelves are fixed in location using a Cam Lock and are typically fitted above a hanging rail. Multiple Through Hole Drilling in end panels gives you flexibility and continuous storage design.

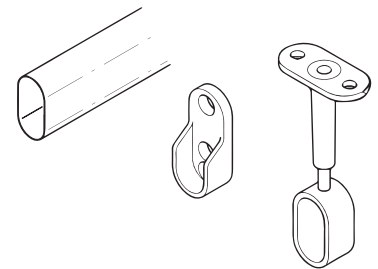


\* Floating shelves are supplied with a hardware fitting that allows to be cut the shelf length to any size.

| CODE                | DESCRIPTION                        | DIMENSION    |
|---------------------|------------------------------------|--------------|
| <b>700 Length</b>   |                                    |              |
| W1-DP-700-FLOATING  | Wardrobe 700 x 391 Floating Shelf  | 700L x 391D  |
| <b>900 Length</b>   |                                    |              |
| W1-DP-900-FLOATING  | Wardrobe 900 x 391 Floating Shelf  | 900L x 391D  |
| <b>1200 Length</b>  |                                    |              |
| W1-DP-1200-FLOATING | Wardrobe 1200 x 391 Floating Shelf | 1200L x 391D |

# ACCESSORIES

Accessories is used to provide extra support to your clothe hanging rails.



| CODE                           | DESCRIPTION                                     | DIMENSION |
|--------------------------------|---|-----------|
| <b>Accessories</b>             |   |           |
| W1-HANGING-RAIL-TUBE-N-END     | Clothes Hanging Rail<br>Oval Tube & End Bracket | -         |
| W1-HANGING-RAIL-CENTRE-SUPPORT | Clothes Hanging Rail<br>Centre Support          | -         |





# Central New Zealand Distribution Center

Our centrally located DC center in Palmerston North means we can dispatch cabinetry & stocked décor orders in only 5 days and ship New Zealand wide.



## 24/7 Ordering

Order your joinery components anytime with our convenient 24/7 online ordering portal.

To **register** visit at [estore.amorini.co.nz](https://estore.amorini.co.nz) or email us at [info@amorini.co.nz](mailto:info@amorini.co.nz)

# READY WITH YOUR DESIGN?

## ORDER NOW!



PO BOX 5390,  
Palmerston North, New Zealand.  
(06) 358 2759 | [info@amorini.co.nz](mailto:info@amorini.co.nz)



Scan here or visit



[amorini.co.nz](http://amorini.co.nz)

Copyright © 2022 Amorini - Version 1.0 - May 2023

**Follow us:**



@AmoriniNZ



@Amorini\_nz



@AmoriniNZLtd



@Amorini NZ