

**RANGE  
GUIDE**

# **Affordable Quality Joinery Components** – Kitchen

Version 1.0 - December 2022

Powered by



**Amorini**



# New Zealand's **Best Kept** Trade Secret!

Amorini's quality joinery components are the easy choice for your kitchens.

For over 40 years we've been manufacturing the highest quality cabinet componentry right here in New Zealand.

Our new trade range is extensive and comes with numerous décor options, all delivered in superfast lead times that will delight you and your customers.

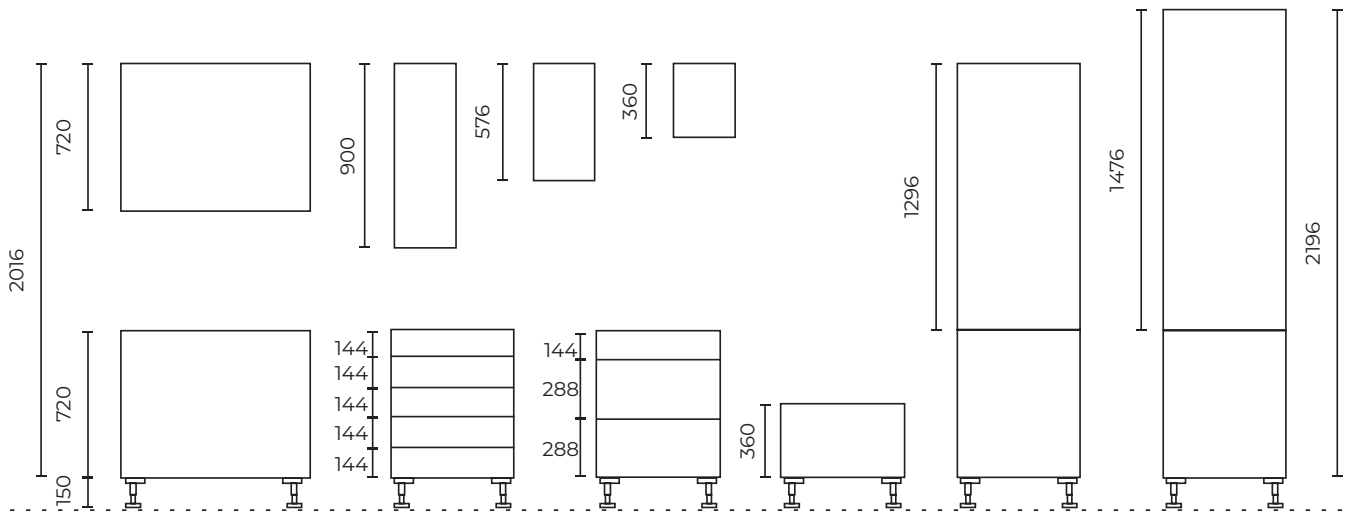
# FEATURES AND SPECIFICATIONS

- 16mm MDF MR (Moisture Resistant)  
E0 (Low emissions) Carcass –manufactured under the NZ Environmental Choice Specification
- The MDF meets New Zealand Building Code Clause B2 Durability and Clause C3 Protection from Fire
- 18mm MDF Fronts
- Adjustable Legs 150mm +/-20mm
- Adjustable Shelf Location Pre-Drilled
- 1mm PVC Edging
- High Bond PUR hot melt adhesives are applied to all edgings
- Solid Back Construction
- Lifetime Warranty on European Hardware.
- Pre-Drilled – Easy Assembly
- Extensive Range & Combinations
- Variable cabinets for customised design
- Kitchen, Wardrobe & Vanity Options
- Order Online 24/7
- 10 Year Ltd Warranty on Cabinets

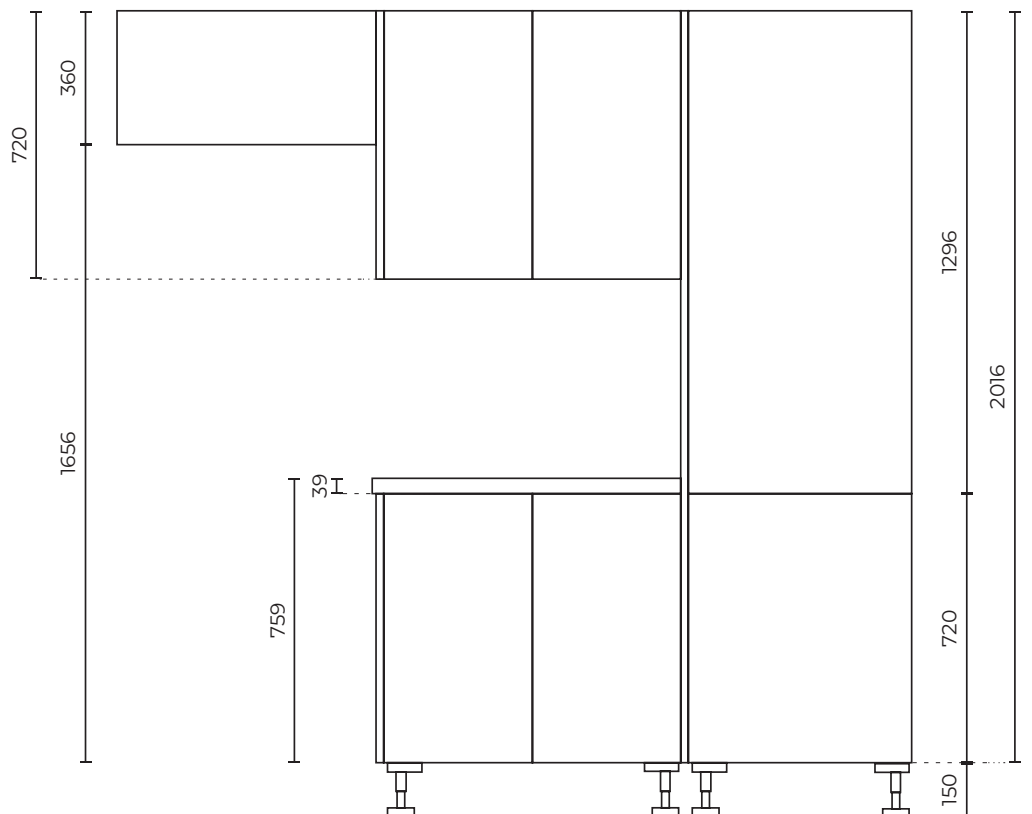


# DESIGN YOUR **KITCHEN** WITH OUR VERSATILE CABINET RANGE!

## BASE AND WALL CABINET SAMPLE SIZES

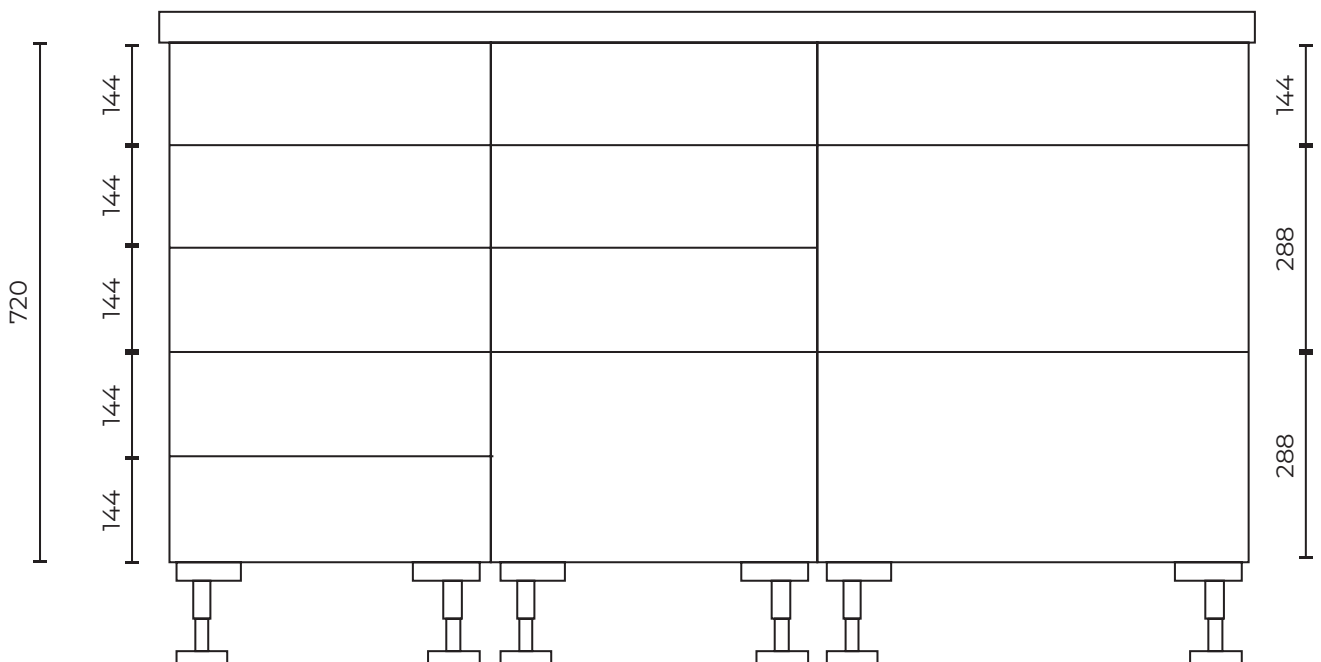
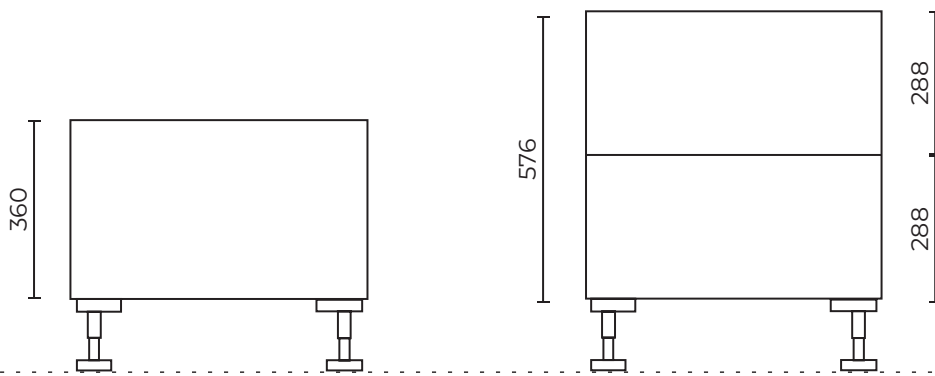
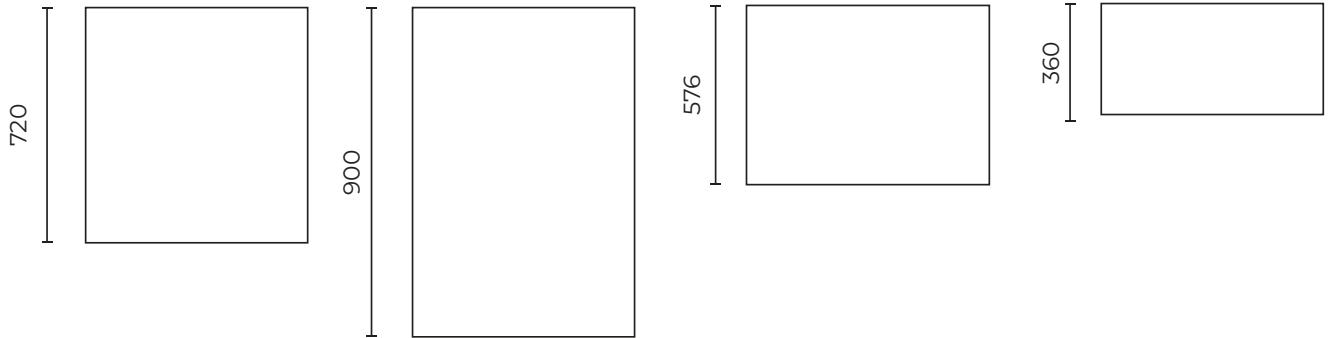


## EXAMPLE



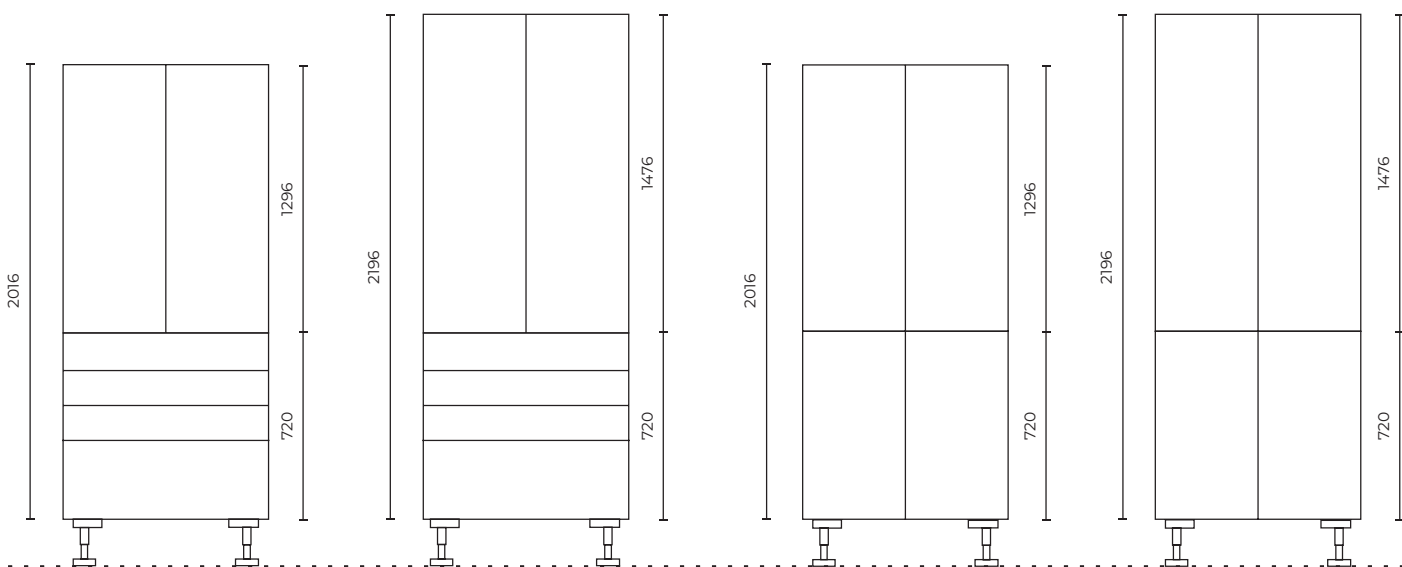
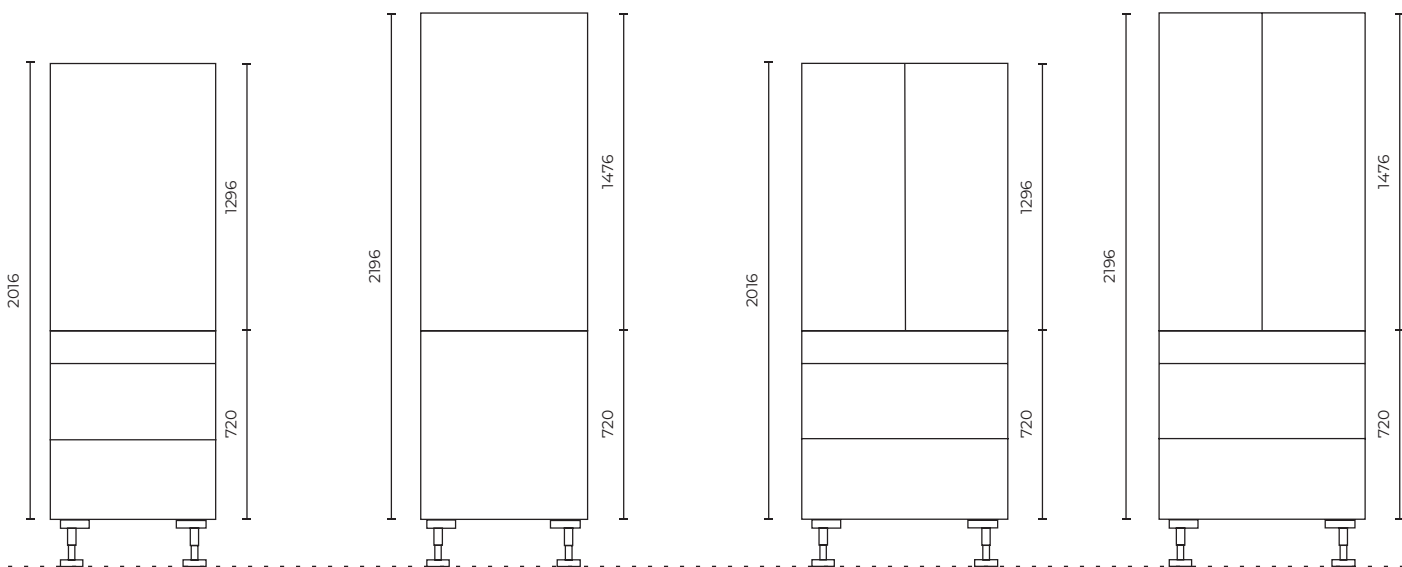
# BASE & WALL CABINETS

## SAMPLE SIZES



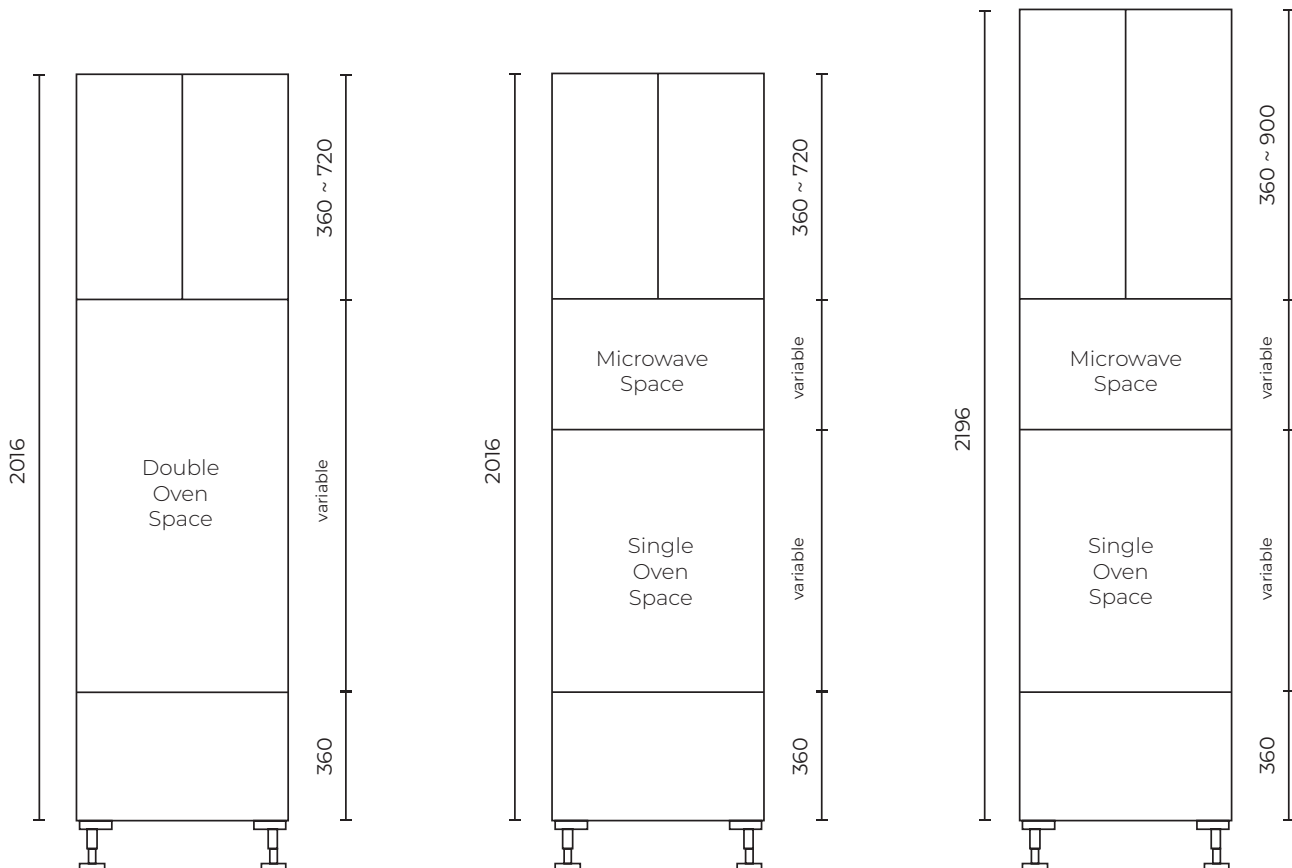
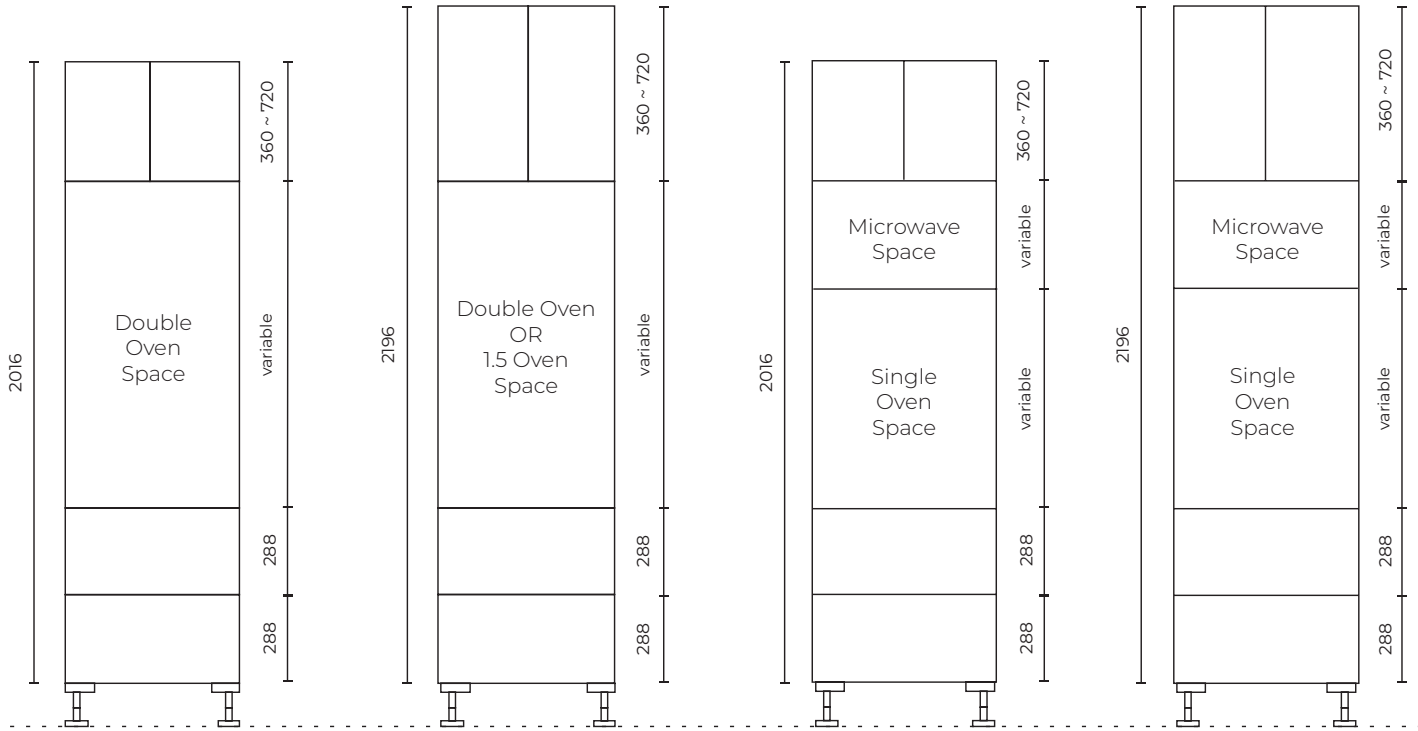
# PANTRY COMBO

## LAYOUT SAMPLE



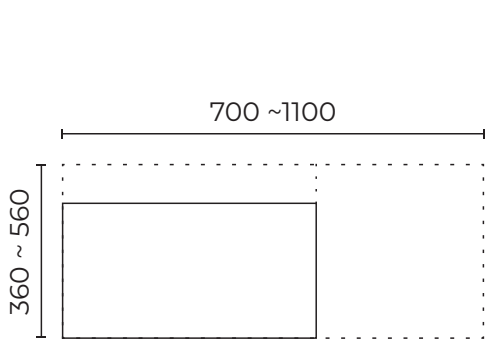
# TOWER OVEN

## LAYOUT SAMPLE



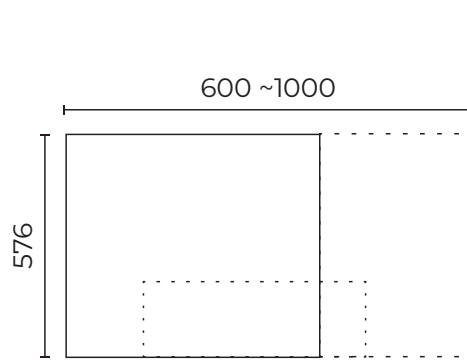
# VARIABLE CABINETS

TO CUSTOMISE YOUR DESIGN



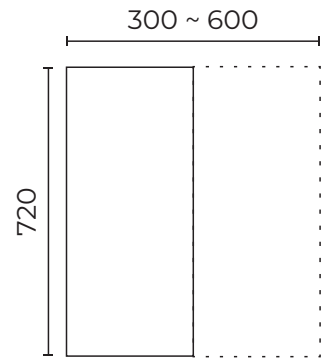
Over Fridge Wall Unit

K1-WA-VAR-VAR-FD-OVERFRIDGE



Wall Power Pack Unit

K1-WA-VAR-576S-POWERPACK



Open Shelf Wall Unit

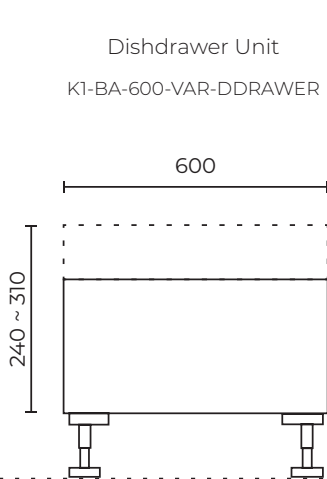
K1-WA-VAR-720S-OPENSHELF

Open Shelf Unit

K1-BA-VAR-720-OPENSHELF

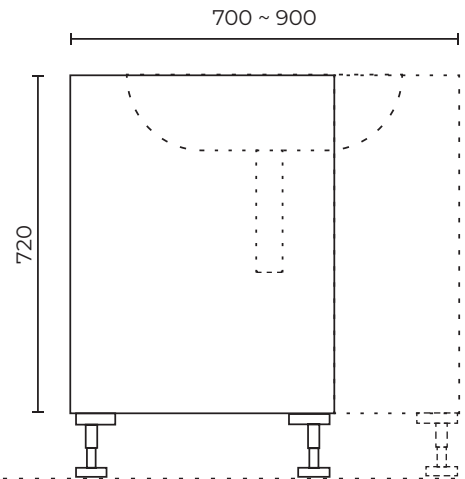
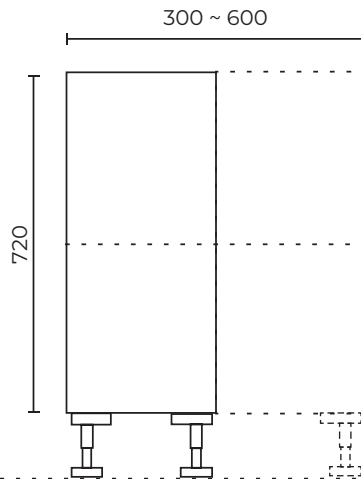
Sink Unit

K1-BA-VAR-720-SINK



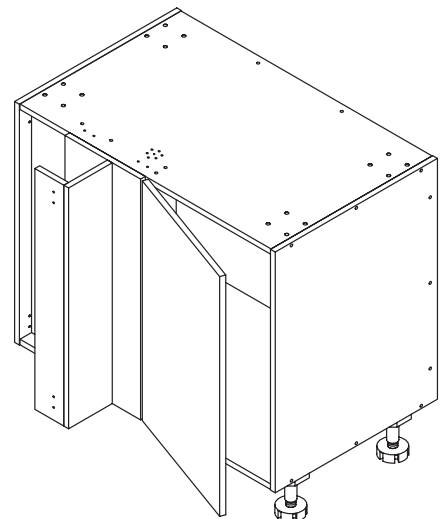
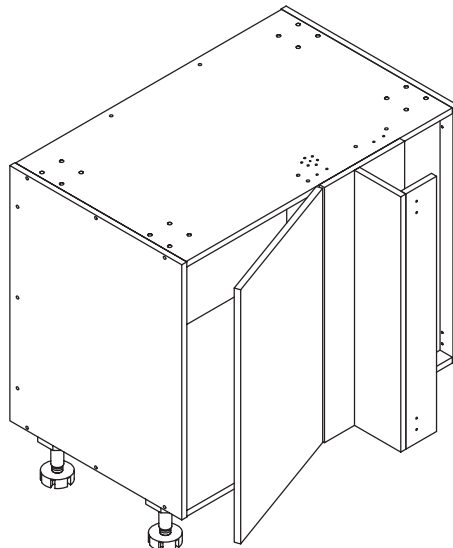
Dishdrawer Unit

K1-BA-600-VAR-DDRAWER



Blind Corner Unit (Reversible) Corner return design  
flexibility from 50 -150mm each-way

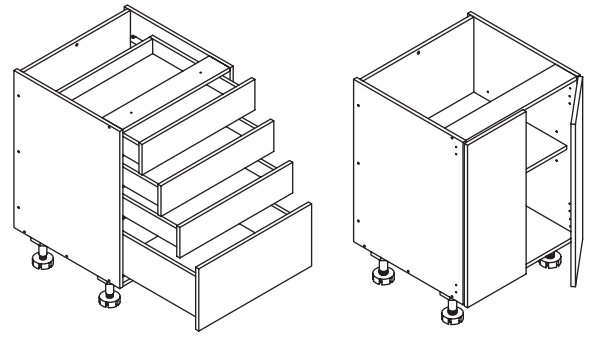
K1-BA-900-BLIND-CNR





# BASE UNIT

Base units are available 200mm to 900mm wide. They come with different décor front options.

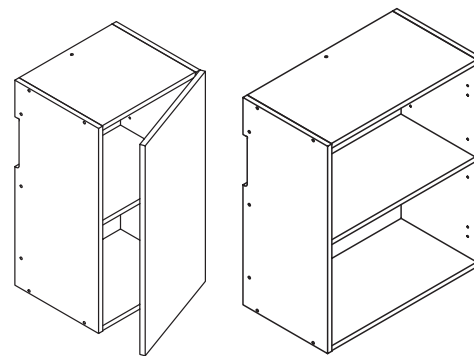


CODE	DESCRIPTION	DIMENSION
<b>Door Unit</b>		
K1-BA-200-1D	Base 200 – 1 Door	200W x 560D x 720H
K1-BA-300-1D	Base 300 – 1 Door	300W x 560D x 720H
K1-BA-400-1D	Base 400 – 1 Door	400W x 560D x 720H
K1-BA-450-1D	Base 450 – 1 Door	450W x 560D x 720H
K1-BA-600-2D	Base 600 – 2 Door	600W x 560D x 720H
K1-BA-700-2D	Base 700 – 2 Door	700W x 560D x 720H
K1-BA-800-2D	Base 800 – 2 Door	800W x 560D x 720H
K1-BA-900-2D	Base 900 – 2 Door	900W x 560D x 720H
<b>Drawer Unit</b>		
K1-BA-450-4DRW	Base 450 – 4 Drawer	450W x 560D x 720H
K1-BA-450-5DRW	Base 450 – 5 Drawer	450W x 560D x 720H
K1-BA-600-3DRW	Base 600 – 3 Drawer	600W x 560D x 720H
K1-BA-600-4DRW	Base 600 – 4 Drawer	600W x 560D x 720H
K1-BA-600-5DRW	Base 600 – 5 Drawer	600W x 560D x 720H
K1-BA-700-3DRW	Base 700 – 3 Drawer	700W x 560D x 720H
K1-BA-800-3DRW	Base 800 – 3 Drawer	800W x 560D x 720H
K1-BA-900-3DRW	Base 900 – 3 Drawer	900W x 560D x 720H
<b>UBO Unit</b>		
K1-BA-600-UBO	Base 600 – Under Bench Oven	600W x 560D x 720H
K1-BA-900-UBO	Base 900 – Under Bench Oven	450W x 560D x 720H
<b>Corner Unit</b>		
K1-BA-980x980-CNR	Base 980 - Corner Unit - 2 Door	980W x 560D x 720H
K1-BA-900-BLIND-CNR	Base 900 – Blind Corner (LH or RH)	900W x 560D x 720H
<b>Other</b>		
K1-BA-600-2DRW	Base 600 – 2 Drawer	600W x 560D x 576H
K1-BA-600-1DRW	Base 600 – 1 Drawer	600W x 560D x 360H
K1-BA-450-1D-1DRW	Base 400 – 1 Door & 1Drawer	450W x 560D x 720H
<b>Variable</b>		
K1-BA-VAR-720-OPENSHELF	Base 300~600 - Open Shelf Unit	300~600W x 560D x 720H
K1-BA-600-VAR-DDRAWER	Base 600 - Dishdrawer Unit	600W x 560D x 240~310H
K1-BA-VAR-720-SINK	Base 600~900 for Sink Unit	600~900W x 560D x 720H

# WALL UNIT

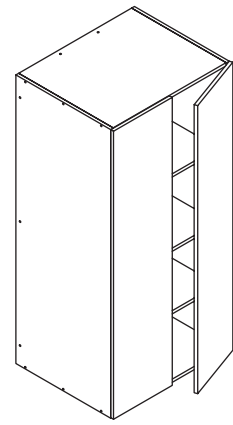
Wall units are available in various heights and widths.

**Note:** Wall Unit allows for 20mm door overhang – e.g. 360 series = 360 Door height & 340 cabinet height.



CODE	DESCRIPTION	DIMENSION
<b>360 Series</b>		
K1-WA-600-360S-FD	Wall 600 - 360 Series - Flap Door	600W x 330D x 340H
K1-WA-700-360S-FD	Wall 700 - 360 Series - Flap Door	700W x 330D x 340H
K1-WA-800-360S-FD	Wall 800 - 360 Series - Flap Door	800W x 330D x 340H
K1-WA-900-360S-FD	Wall 900 - 360 Series - Flap Door	900W x 330D x 340H
<b>576 Series</b>		
K1-WA-300-576S-1D	Wall 300 - 576 Series - 1 Door	300W x 330D x 556H
K1-WA-400-576S-1D	Wall 400 - 576 Series - 1 Door	400W x 330D x 556H
K1-WA-450-576S-1D	Wall 450 - 576 Series - 1 Door	450W x 330D x 556H
K1-WA-600-576S-2D	Wall 600 - 576 Series- 2 Door	600W x 330D x 556H
K1-WA-700-576S-2D	Wall 700 - 576 Series - 2 Door	700W x 330D x 556H
K1-WA-800-576S-2D	Wall 800 - 576 Series - 2 Door	800W x 330D x 556H
K1-WA-900-576S-2D	Wall 900 - 576 Series - 2 Door	900W x 330D x 556H
<b>720 Series</b>		
K1-WA-300-720S-1D	Wall 300 - 720 Series - 1 Door	300W x 330D x 700H
K1-WA-400-720S-1D	Wall 400 - 720 Series - 1 Door	400W x 330D x 700H
K1-WA-450-720S-1D	Wall 450 - 720 Series - 1 Door	450W x 330D x 700H
K1-WA-600-720S-2D	Wall 600 - 720 Series - 2 Door	600W x 330D x 700H
K1-WA-700-720S-2D	Wall 700 - 720 Series - 2 Door	700W x 330D x 700H
K1-WA-800-720S-2D	Wall 800 - 720 Series - 2 Door	800W x 330D x 700H
K1-WA-900-720S-2D	Wall 900 - 720 Series - 2 Door	900W x 330D x 700H
<b>900 Series</b>		
K1-WA-300-900S-1D	Wall 300 - 900 Series - 1 Door	300W x 330D x 880H
K1-WA-400-900S-1D	Wall 400 - 900 Series - 1 Door	400W x 330D x 880H
K1-WA-450-900S-1D	Wall 450 - 900 Series - 1 Door	450W x 330D x 880H
K1-WA-600-900S-2D	Wall 600 - 900 Series - 2 Door	600W x 330D x 880H
K1-WA-700-900S-2D	Wall 700 - 900 Series - 2 Door	700W x 330D x 880H
K1-WA-800-900S-2D	Wall 800 - 900 Series - 2 Door	800W x 330D x 880H
K1-WA-900-900S-2D	Wall 900 - 900 Series - 2 Door	900W x 330D x 880H
<b>Variable</b>		
K1-WA-VAR-720S-OPENSHELF	300~600 Open Shelf Wall Unit	300~600W x 330D x 720H
K1-WA-VAR-VAR-FD-OVERFRIDGE	700~1100 Flap Door Over Fridge	700~1100W x 330D x 360~540H
K1-WA-VAR-576S-POWERPACK	600~1000 Power Pack Unit	600~1000W x 330D x 556H

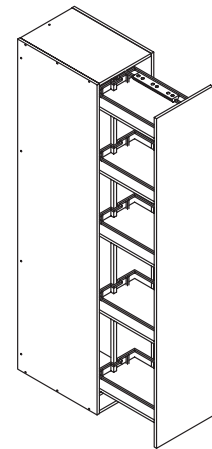
# PANTRY UPPER UNIT



Pantry Upper units available in 1296 and 1476 series. Can be used on their own or combined with a Base Unit to create a full height pantry. For more detail please refer to Page 6 or visit our website.

CODE	DESCRIPTION	DIMENSION
<b>1296 Height</b>		
K1-PU-450-1296S-1D	Pantry Upper 450 - 1296 Height – 1 Door	450W x 560D x 1296H
K1-PU-600-1296S-2D	Pantry Upper 600 - 1296 Height – 2 Door	600W x 560D x 1296H
K1-PU-700-1296S-2D	Pantry Upper 700 - 1296 Height – 2 Door	700W x 560D x 1296H
K1-PU-800-1296S-2D	Pantry Upper 800 - 1296 Height – 2 Door	800W x 560D x 1296H
K1-PU-900-1296S-2D	Pantry Upper 900 - 1296 Height – 2 Door	900W x 560D x 1296H
<b>1476 Height</b>		
K1-PU-450-1476S-1D	Pantry Upper 450 - 1476 Height – 1 Door	450W x 560D x 1476H
K1-PU-600-1476S-2D	Pantry Upper 600 - 1476 Height – 2 Door	600W x 560D x 1476H
K1-PU-700-1476S-2D	Pantry Upper 700 - 1476 Height– 2 Door	700W x 560D x 1476H
K1-PU-800-1476S-2D	Pantry Upper 800 - 1476 Height – 2 Door	800W x 560D x 1476H
K1-PU-900-1476S-2D	Pantry Upper 900 - 1476 Height– 2 Door	900W x 560D x 1476H

# PANTRY PULL – OUT UNIT

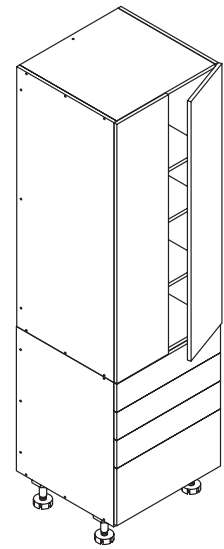


Pantry Pull-Out units are available in both 2016 and 2196 height (excl legs). They are all pre-drilled to fit the pull-out hardware.

CODE	DESCRIPTION	DIMENSION
<b>2016 Height</b>		
K1-PF-400-2016S-PO	Pantry PullOut 400 - 2016 Height	400W x 560D x 2016H
K1-PF-500-2016S-PO	Pantry PullOut 500 - 2016 Height	500W x 560D x 2016H
<b>2196 Height</b>		
K1-PF-400-2196S-PO	Pantry PullOut 400 - 2196 Height	400W x 560D x 2196H
K1-PF-500-2196S-PO	Pantry PullOut 500 - 2196 Height	500W x 560D x 2196H

# PANTRY COMBO UNIT

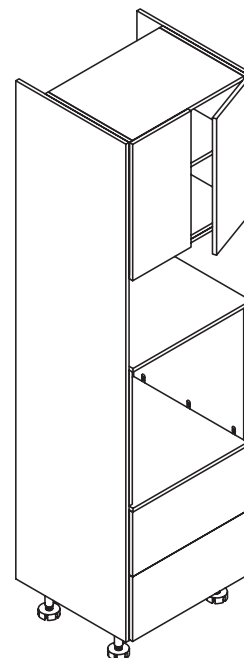
A selection of popular Pantry Combo units that are made from our Base units and Pantry Upper units to achieve both 2016 and 2196 height (excl legs). Imagination is the only restriction for creating your own combo.



CODE	DESCRIPTION	DIMENSION
<b>2016 Height</b>		
K1-PF-600-2016-COMBO-01	Base 600 2 Door with Pantry Upper 1296 Height	600W x 560D x 2016H
K1-PF-600-2016-COMBO-02	Base 600 3 Drawer with Pantry Upper 1296 Height	600W x 560D x 2016H
K1-PF-600-2016-COMBO-03	Base 600 4 Drawer with Pantry Upper 1296 Height	600w x 560D x 2016H
K1-PF-700-2016-COMBO-01	Base 700 2Door with Pantry Upper 1296 Height	600W x 560D x 2016H
K1-PF-700-2016-COMBO-02	Base 700 3 Drawer with Pantry Upper 1296 Height	600w x 560D x 2016H
K1-PF-800-2016-COMBO-01	Base 800 2 Door with Pantry Upper 1296 Height	600W x 560D x 2016H
K1-PF-800-2016-COMBO-02	Base 800 3 Drawer with Pantry Upper 1296 Height	600W x 560D x 2016H
K1-PF-900-2016-COMBO-01	Base 900 2 Door with Pantry Upper 1296 Height	600W x 560D x 2016H
K1-PF-900-2016-COMBO-02	Base 900 3 Drawer with Pantry Upper 1296 Height	600w x 560D x 2016H
<b>2196 Height</b>		
K1-PF-600-2196-COMBO-01	Base 600 2 Door with Pantry Upper 1476 Height	600W x 560D x 2196H
K1-PF-600-2196-COMBO-02	Base 600 3 Drawer with Pantry Upper 1476 Height	600W x 560D x 2196H
K1-PF-600-2196-COMBO-03	Base 600 4 Drawer with Pantry Upper 1476 Height	600W x 560D x 2196H
K1-PF-700-2196-COMBO-01	Base 700 2Door with Pantry Upper 1476 Height	600w x 560D x 2196H
K1-PF-700-2196-COMBO-02	Base 700 3 Drawer with Pantry Upper 1476 Height	600W x 560D x 2196H
K1-PF-800-2196-COMBO-01	Base 800 2 Door with Pantry Upper 1476 Height	600W x 560D x 2196H
K1-PF-800-2196-COMBO-02	Base 800 3 Drawer with Pantry Upper 1476 Height	600W x 560D x 2196H
K1-PF-900-2196-COMBO-01	Base 900 2 Door with Pantry Upper 1476 Height	600W x 560D x 2196H
K1-PF-900-2196-COMBO-02	Base 900 3 Drawer with Pantry Upper 1476 Height	600W x 560D x 2196H

# TOWER OVEN UNIT

Tower Oven units are available in both 2016 and 2196 height (excl legs). For options of oven and microwave dimensions and top cabinet, please refer to Page 7 or visit on our website for more details.



CODE	DESCRIPTION	DIMENSION
<b>2016 Height</b>		
K1-TO-600-2016-1DRW	Tower 600 Oven 2016H - Base 1 drawer (360H)	Varies
K1-TO-600-2016-1DRW-MW	Tower 600 Oven 2016H - Base 1 drawer (360H) & Microwave	Varies
K1-TO-600-2016-2DRW	Tower 600 Oven 2016H - Base 2 drawer (567H)	Varies
K1-TO-600-2016-2DRW-MW	Tower 600 Oven 2016H - Base 2 drawer (567H) & Microwave	Varies
<b>2196 Height</b>		
K1-TO-600-2196-1DRW	Tower 600 Oven 2196H - Base 1 drawer (360H)	Varies
K1-TO-600-2196-1DRW-MW	Tower 600 Oven 2196H - Base 1 drawer (360H) & Microwave	Varies
K1-TO-600-2196-2DRW	Tower 600 Oven 2196H - Base 2 drawer (567H)	Varies
K1-TO-600-2196-2DRW-MW	Tower 600 Oven 2196H - Base 2 drawer (567H) & Microwave	Varies



Affordable quality joinery  
component solutions for your  
next **kitchen project.**

Powered by



Amorini



# Central New Zealand Distribution Center

Our centrally located DC center in Palmerston North means we can dispatch cabinetry & stocked décor orders in only 5 days and ship New Zealand wide.



## 24/7 Ordering

Order your joinery components anytime with our convenient 24/7 online ordering portal.

To **register** visit at [estore.amorini.co.nz](http://estore.amorini.co.nz) or email us at [info@amorini.co.nz](mailto:info@amorini.co.nz)

# READY WITH YOUR DESIGN?

## ORDER NOW!



PO BOX 5390,  
Palmerston North, New Zealand.  
(06) 358 2759 | [info@amorini.co.nz](mailto:info@amorini.co.nz)



Scan here or visit



[amorini.co.nz](http://amorini.co.nz)

Copyright © 2022 Amorini - Version 1.0 - December 2022

**Follow us:**



@AmoriniNZ



@Amorini\_nz



@AmoriniNZLtd



@Amorini NZ