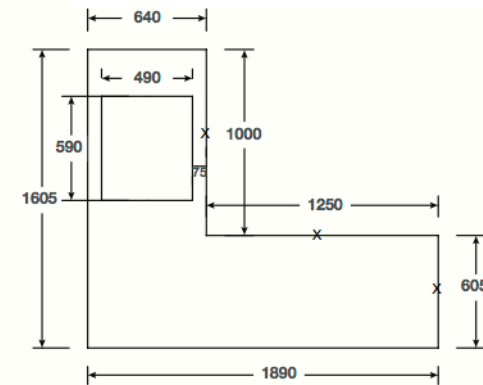
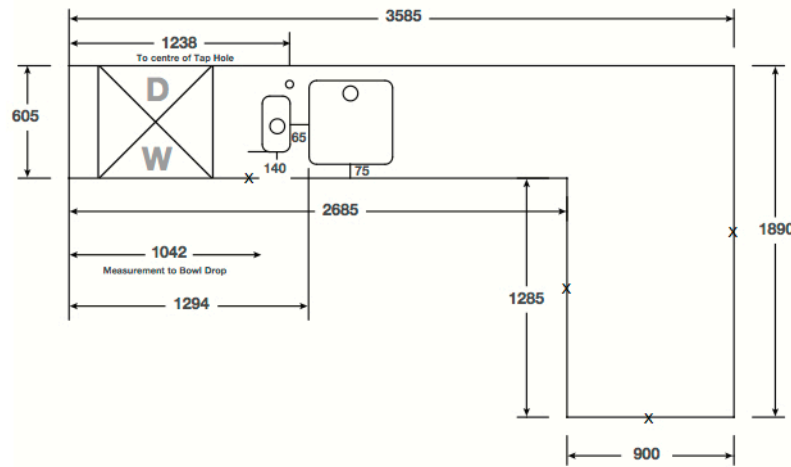


NOTES

- » Please draw your bench top plans clearly and use the squares to represent as close to scale as practical. Scale 1:20
- » Please dimension all sides and ends of tops including internal dimensions
- » Please specify type of bowl and mounting option
- » Please indicate bowl and hob positions clearly
- » Please indicate all seen edges with an X marked to the edge
- » Please specify any trimmed or clipped corners
- » On ordering your top please courier your bowl urgently to the installer
- » Include dishwasher position

SAMPLE DRAWINGS



THE ABOVE QUOTE IS SUBJECT TO Amorini NZ Ltd, Terms & Conditions of Sale. In addition the price is subject to:

- » Information provided, any alterations or additions that have not been included will be charged accordingly
- » The figure is based on the installation site being as accessible as indicated and OSH compliant. Additional charges will be incurred if unspecified difficulties arise or extraneous variables are encountered
- » All cabinets installed level, securely fitted and have suitable fixings for the tops. In addition all walls the bench tops are to be fitted against, need to comply with the maximum deviation allowances, specified in the N.Z.S 3604:1999
- » Additional support may be required where cabinets such as Mondo Units, sit off walls. Please ensure that adequate support is added to walls to pick up support for work tops in these situations prior to the work top being installed
- » Whilst your new infinity top will be sealed to walls, the price of the fitted top does not allow for colour matching of sealant or making good to walls and or decoration after installation.
- » It is the customer's responsibility to organize all plumbing & electrical matters
- » The maximum unsupported overhang is 300mm
- » The maximum unsupported span is 650mm
- » The minimum distance between cut-outs is 65 mm
- » The illustrated colours are a rendition only. Please see an actual sample before making your final choice
- » Infinity is backed by a 10 year limited warranty which is only valid when carried out by an accredited Infinity Installer
- » Quotes valid for 90 days